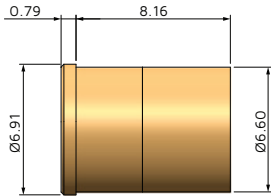
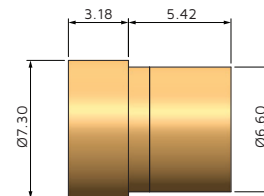


3.50 mm (0.120 in.) contacts

Female contacts (sockets)



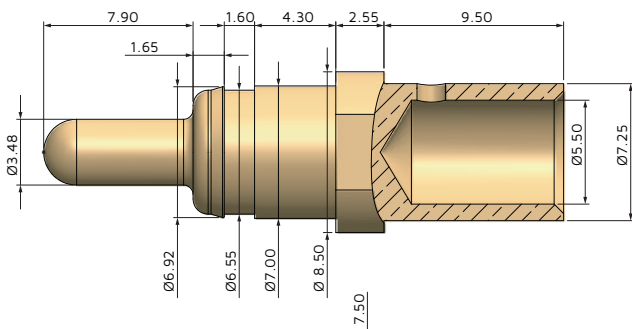
HYP350E127A001



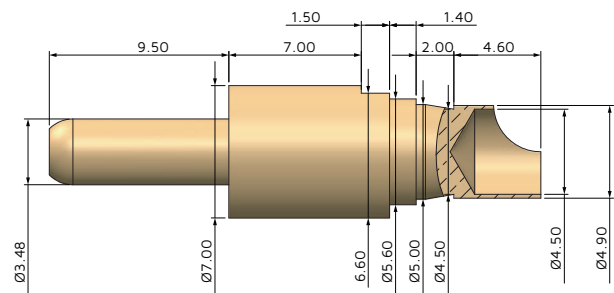
HYP350O127A001

Ordering Number	Internal Part Number	Termination Style	Contact Resistance (mΩ)	Current Rating (A)	Extraction Force (N)	Contact Life (cycles)	Materials	Plating (μm)
HYP350E127A001	YSK035-063AH	Closed end	<0.8	50	9.7	Up to 100k	BeCu/Brass	>1.27 gold
HYP350O127A001	YSK035-004AH	Open both ends	<0.8	50	9.7	Up to 100k	BeCu/Brass	>1.27 gold

Male contacts (pins)



HYP350C127A001



HYP350U127A001

Ordering Number	Internal Part Number	Termination Style	Materials	Plating (μm)
HYP350C127A001	YPN035-025RH	Crimp	Brass	>1.27 gold
HYP350U127A001	YPN035-024H	Solder cup	Copper	>1.27 gold