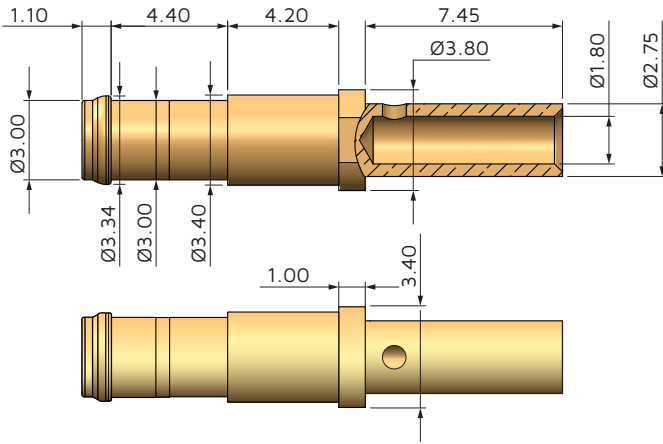
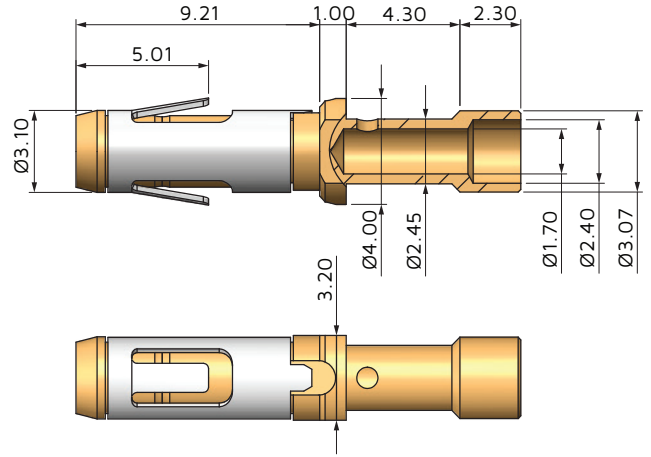


1.50 mm (0.059 in.) contacts

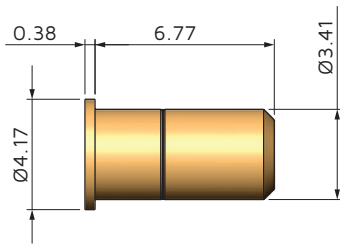
Female contacts (sockets)



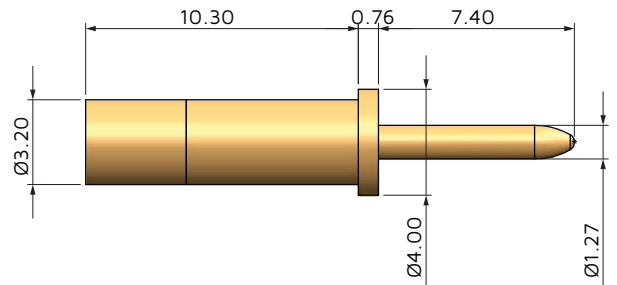
HYPS150C020F001



HYPS150C025I001



HYPS150E127A001

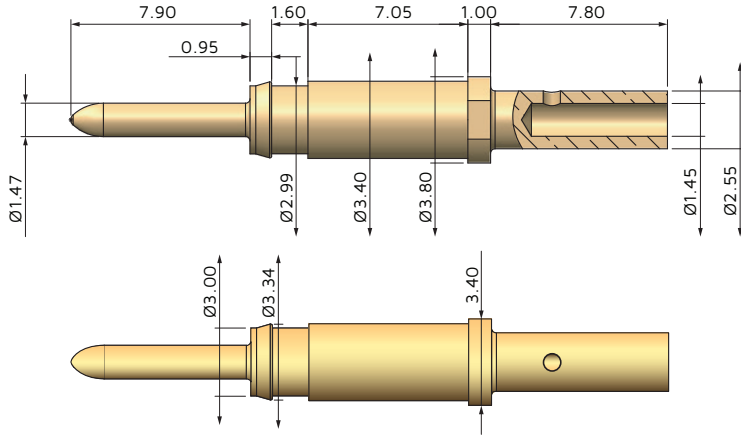


HYPS150S127A001

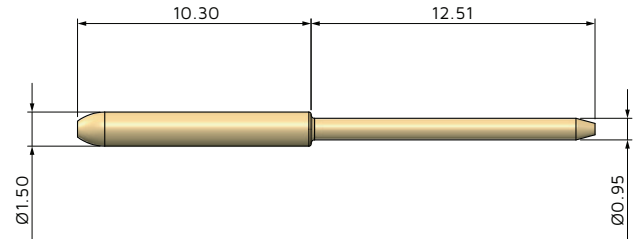
Ordering Number	Internal Part Number	Termination Style	Contact Resistance (mΩ)	Current Rating (A)	Extraction Force (N)	Contact Life (cycles)	Materials	Plating (µm)
HYPS150C020F001	0150682-20-G1	Crimp	<3.0	8	0.4 to 1.4	Up to 100k	PhBz/Brass	>0.20 gold
HYPS150C025I001	15837-Z66	Crimp	<2.5	8	0.8	Up to 100k	BeCu/Brass	> 1.27 gold
HYPS150E127A001	YSK015-111HT	Closed end	<2.5	10	5.5	Up to 100k	BeCu/Brass	>1.27 gold
HYPS150S127A001	YSK015-004AH	Straight	<2.5	10	5.5	Up to 100k	BeCu/Brass	>1.27 gold

1.50 mm (0.059 in.) contacts

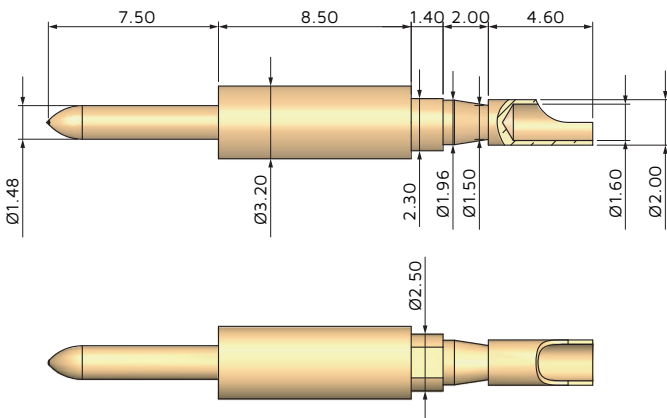
Male contacts (pins)



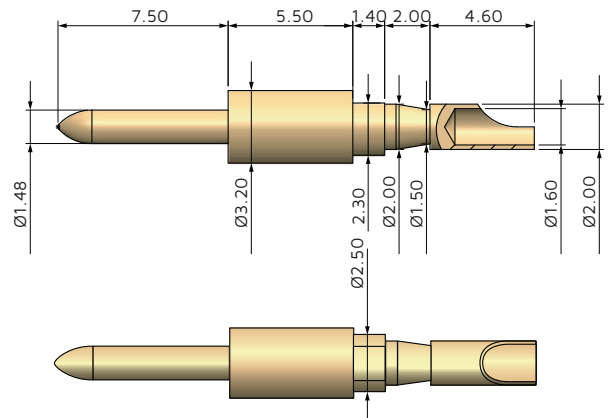
HYPP150C127A001



HYPP150S025I001



HYPP150U127A001



HYPP150U127I001

Ordering Number	Internal Part Number	Termination Style	Materials	Plating (µm)
HYPP150C127A001	YPN015-009RG	Crimp	Brass	>1.27 gold
HYPP150S025I001	16121-T12	Straight	Brass	>0.25 gold
HYPP150U127A001	YPN015-001H	Solder cup	Brass	>1.27 gold
HYPP150U127I001	13380-T12	Solder cup	Brass	>1.27 gold