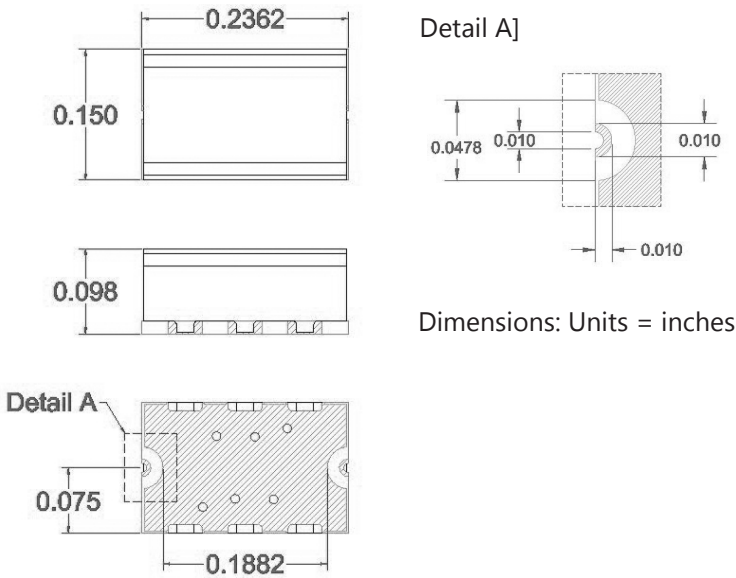


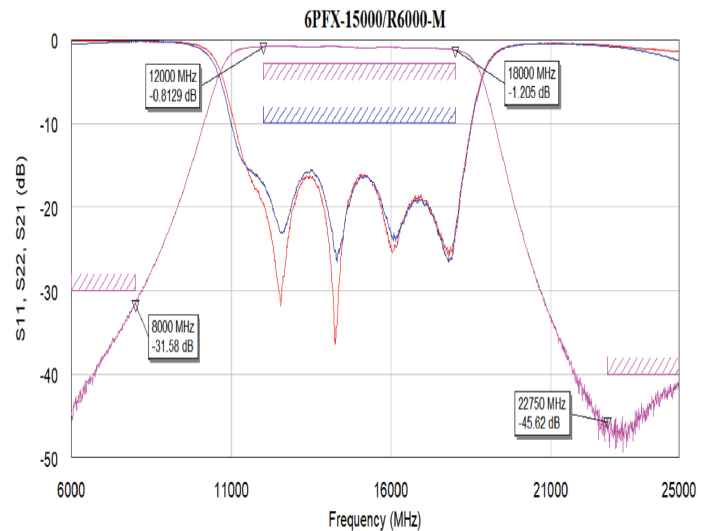
# K-Band Planar X Filter

Part Number: 6PFX-28000/R6000-M

## Projected Mechanics



## Projected Response



**Important:** Performance of hardware may deviate from the response shown above. However, the filter will comply with the specifications shown on the specification sheet.

## Product Configuration

Part Number	6PFX-28000/R6000-M
Series	Planar X Filter Series
Center Frequency	15000 MHz
Equi-ripple Passband Bandwidth	6000 MHz min
Insertion Loss	1.5 dB max. over Passband
Stopband Attenuation	-30 dBc min. from DC to 8000 MHz -40 dBc min. from 22750 to 25000 MHz
Return Loss	15 dB typical.
Temperature Range	-55 to 85 deg. C
Relative Humidity	95%

### Americas

Sales  
focom.uscsr@smithsinterconnect.com

Technical support  
focom.techsupport@smithsinterconnect.com

### Europe

Sales  
focom.emeacsr@smithsinterconnect.com

Technical support  
focom.techsupport@smithsinterconnect.com

### Asia

Sales  
focom.asiacsr@smithsinterconnect.com

Technical support  
focom.techsupport@smithsinterconnect.com

more > [smithsinterconnect.com](https://www.smithsinterconnect.com) | [in](#) [twitter](#) [youtube](#)