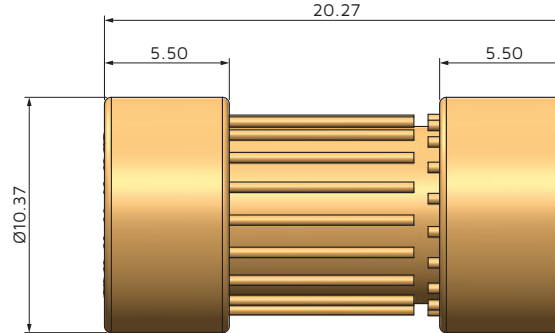


# 4.30 mm (0.170 in.) contacts

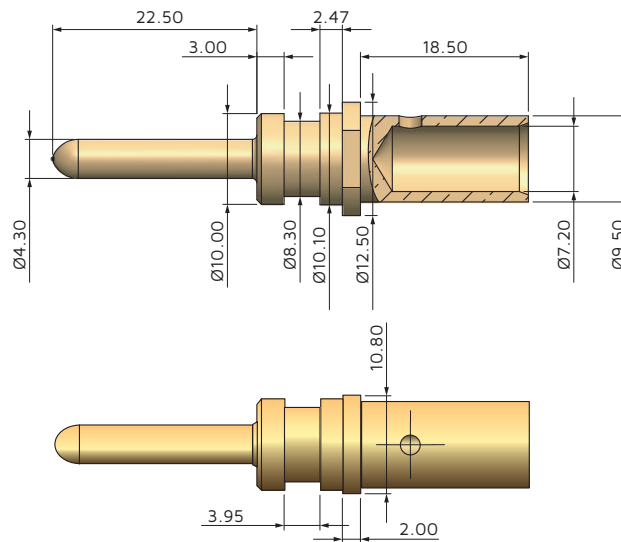
## Female contacts (sockets)



HYP54300127A001

Ordering Number	Internal Part Number	Termination Style	Contact Resistance (mΩ)	Current Rating (A)	Extraction Force (N)	Contact Life (cycles)	Materials	Plating (µm)
HYP54300127A001	YSK043-004AH	Open both ends	<0.35	100	25	Up to 100k	BeCu/Brass	>1.27 gold

## Male contacts (pins)



HYP430C127A001

Ordering Number	Internal Part Number	Termination Style	Materials	Plating(µm)
HYP430C127A001	YPN043-014RI	Crimp	Tellurium copper	>0.762 gold