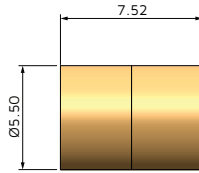


2.50 mm (0.098 in.) contacts

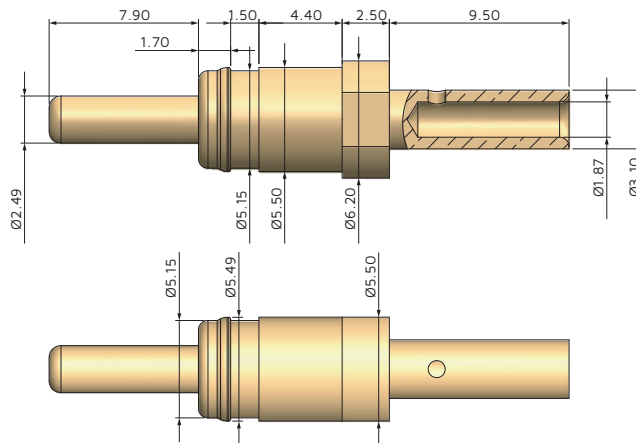
Female contacts (sockets)



HYPS2500127A001

Ordering Number	Internal Part Number	Termination Style	Contact Resistance (mΩ)	Current Rating (A)	Extraction Force (N)	Contact Life (cycles)	Materials	Plating (μm)
HYPS2500127A001	YSK025-030AH	Open both ends	<1.5	15	7.8	Up to 100k	BeCu/Brass	>1.27 gold

Male contacts (pins)



HYPP250C127A001

Ordering Number	Internal Part Number	Termination Style	Materials	Plating (μm)
HYPP250C127A001	YPN025-003H	Crimp	Brass	>1.27 gold