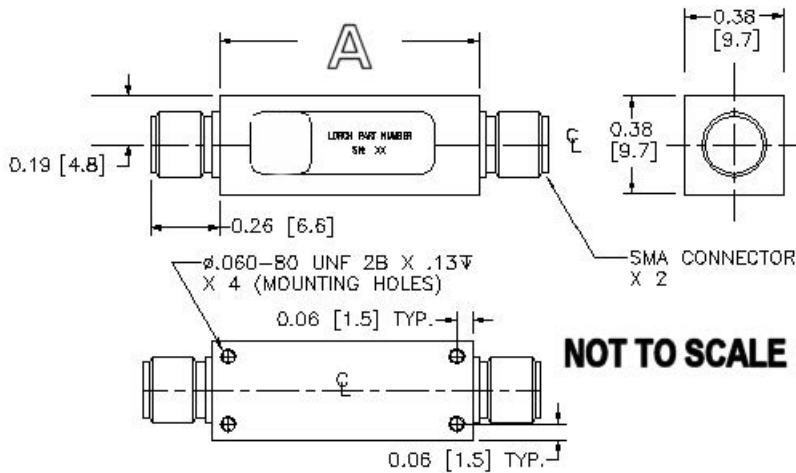


L-Band Discrete Filter

Part Number: 5BP7-1500/800-S

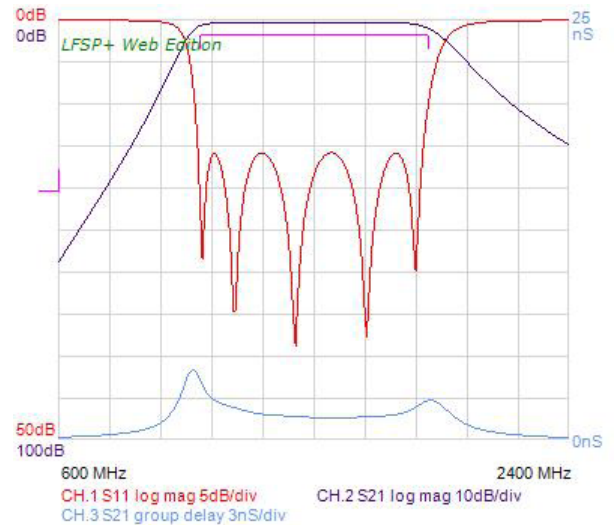
Projected Mechanics



A = 1.50" [38.10 mm]

Dimensions: Inches [Millimeters] All dimensions are approximate.

Projected Response



Important: Performance of hardware may deviate from the response shown above. However, the filter will comply with the specifications shown on the specification sheet.

Product Configuration

Part Number	5BP7-1500/800-S
Series	Discrete Filter Series
Center Frequency	1500.00 MHz
3.0 dB Passband Bandwidth	800.00 MHz min
Insertion Loss at Midband	0.63 dB _a max.
VSWR	1.5:1 typ.
Stopband Attenuation	40 dB _c min. at 600 MHz
Power Handling	1 Watt avg.
Temperature Range	-55 to 85 deg. C
Relative Humidity	95%

Americas

Sales
focom.uscsr@smithsinterconnect.com

Technical support
focom.techsupport@smithsinterconnect.com

Europe

Sales
focom.emeacsr@smithsinterconnect.com

Technical support
focom.techsupport@smithsinterconnect.com

Asia

Sales
focom.asiacsr@smithsinterconnect.com

Technical support
focom.techsupport@smithsinterconnect.com

more > [smithsinterconnect.com](https://www.smithsinterconnect.com) | [in](#) [t](#) [v](#)

Copyright© 2023 Smiths Interconnect | All rights reserved | Version 1.0

The information contained within this document is subject at all times to applicable Export Control regulations and legal requirements.