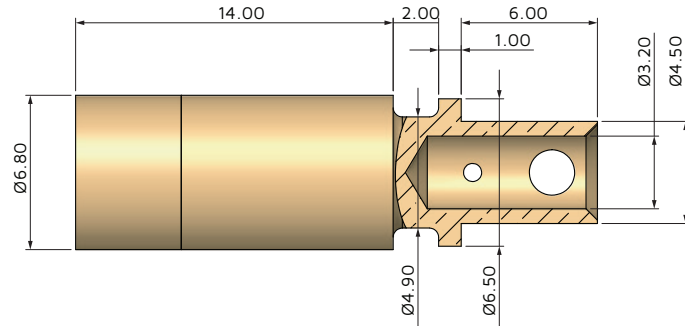


3.60 mm (0.140 in.) contacts

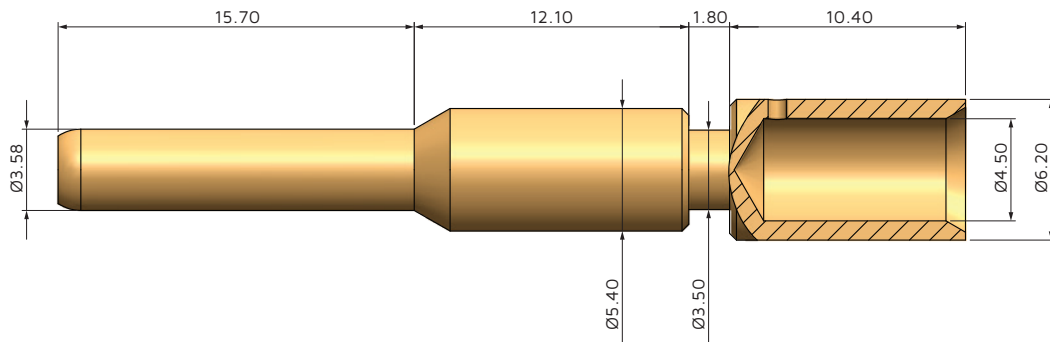
Female contacts (sockets)



HYP360C127A001

Ordering Number	Internal Part Number	Termination Style	Contact Resistance (mΩ)	Current Rating (A)	Extraction Force (N)	Contact Life (cycles)	Materials	Plating (µm)
HYP360C127A001	YSK036-005AH	Crimp	<0.5	50	3	Up to 100k	BeCu/Brass	>1.27 gold

Male contacts (pins)



HYPP360C025G001

Ordering Number	Internal Part Number	Termination Style	Materials	Plating (µm)
HYPP360C025G001	213671020	Crimp	Brass	>0.25 gold