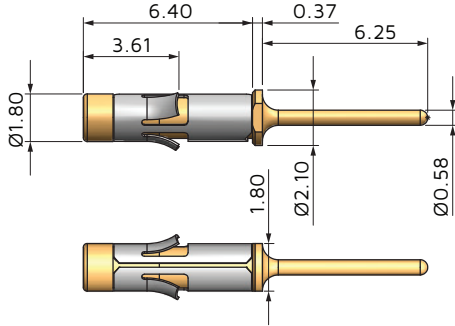
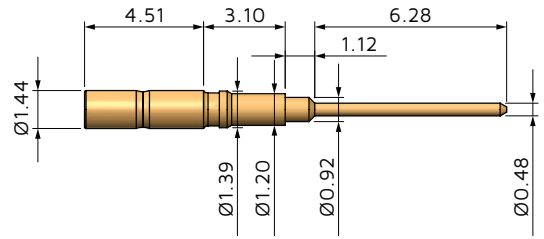


0.60 mm (0.024 in.) contacts

Female contacts (sockets)



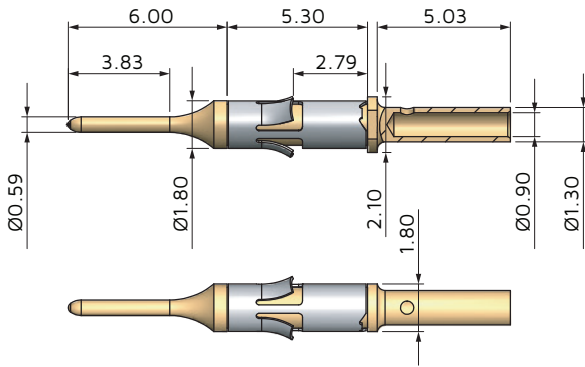
HYP060S127A001



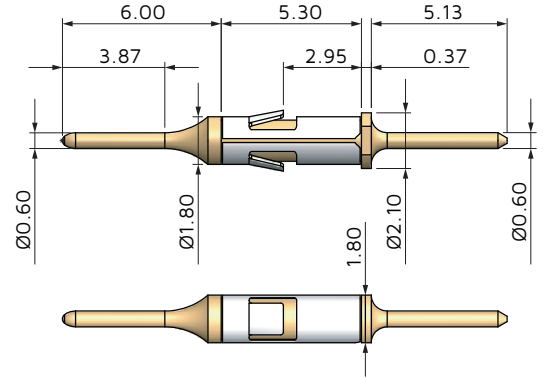
HYP060S127I001

Ordering Number	Internal Part Number	Termination Style	Contact Resistance (mΩ)	Current Rating (A)	Extraction Force (N)	Contact Life (cycles)	Materials	Plating (μm)
HYP060S127A001	YSK006-005AH	Straight	<5.0	4.0	0.08 to 0.56	Up to 100k	BeCu/Brass	>1.27 gold
HYP060S127I001	16477 REF. 4 Z57	Straight	<8.0	2.0	0.1	Up to 100k	BeCu/Brass	>1.27 gold

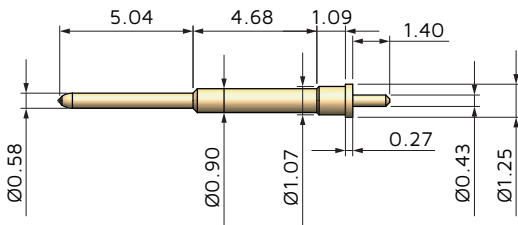
Male contacts (pins)



HYPP060C127A001



HYPP060S127I002



HYPP060S127I001

Ordering Number	Internal Part Number	Termination Style	Materials	Plating (μm)
HYPP060C127A001	YPN006-021H	Crimp	Brass	>1.27 gold
HYPP060S127I002	13280 REF. 1 T15	Straight	Brass	>1.27 gold
HYPP060S127I001	16390-T15	Straight	Brass	>1.27 gold