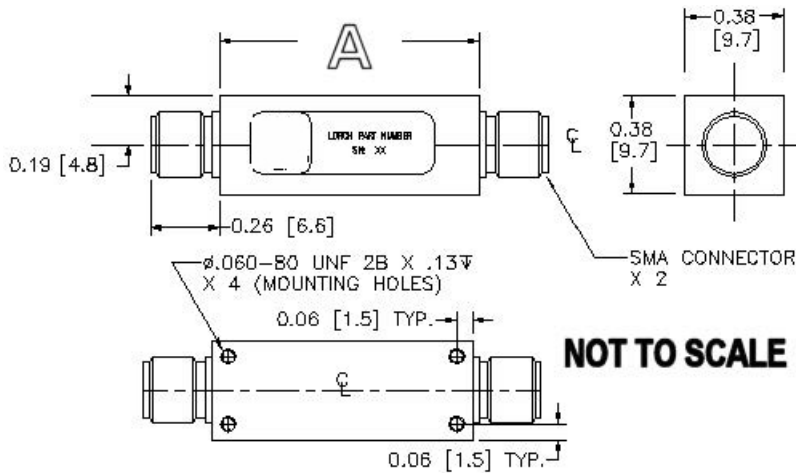


# S-Band Discrete Filter

Part Number: 8BP7-3000/2000-S

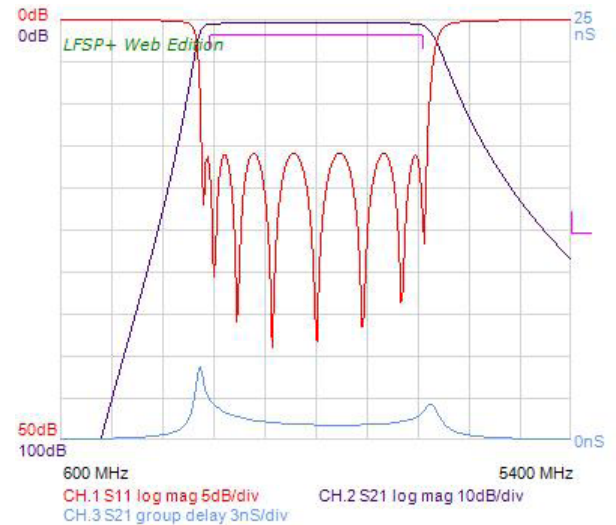
## Projected Mechanics



$A = 2.25" [57.15 \text{ mm}]$

Dimensions: Inches [Millimeters] All dimensions are approximate.

## Projected Response



**Important:** Performance of hardware may deviate from the response shown above. However, the filter will comply with the specifications shown on the specification sheet.

## Product Configuration

Part Number	8BP7-3000/2000-S
Series	Discrete Filter Series
Center Frequency	3000.00 MHz
3.0 dB Passband Bandwidth	2000.00 MHz min
Insertion Loss at Midband	0.70 dBa max.
VSWR	1.5:1 typ.
Stopband Attenuation	50 dBc min. at 5400 MHz
Power Handling	1 Watt avg.
Temperature Range	-55 to 85 deg. C
Relative Humidity	95%

### Americas

Sales  
focom.uscsr@smithsinterconnect.com

Technical support  
focom.techsupport@smithsinterconnect.com

### Europe

Sales  
focom.emeacsr@smithsinterconnect.com

Technical support  
focom.techsupport@smithsinterconnect.com

### Asia

Sales  
focom.asiacsr@smithsinterconnect.com

Technical support  
focom.techsupport@smithsinterconnect.com

more > [smithsinterconnect.com](https://www.smithsinterconnect.com) | [in](#) [twitter](#) [youtube](#)

Copyright© 2023 Smiths Interconnect | All rights reserved | Version 1.0

The information contained within this document is subject at all times to applicable Export Control regulations and legal requirements.