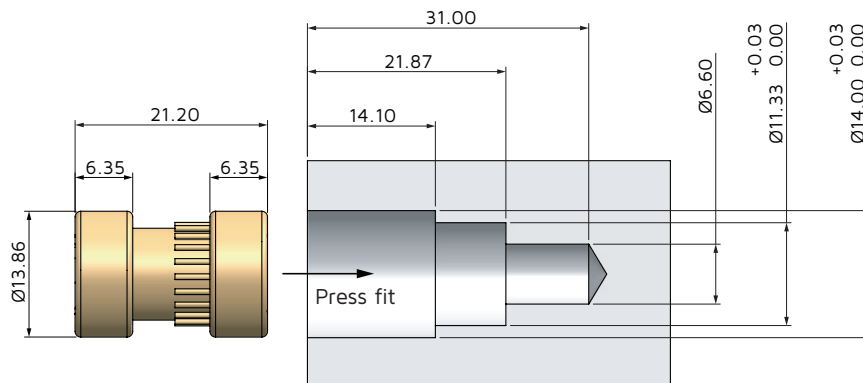


## 6.12 mm (0.240 in.) contacts

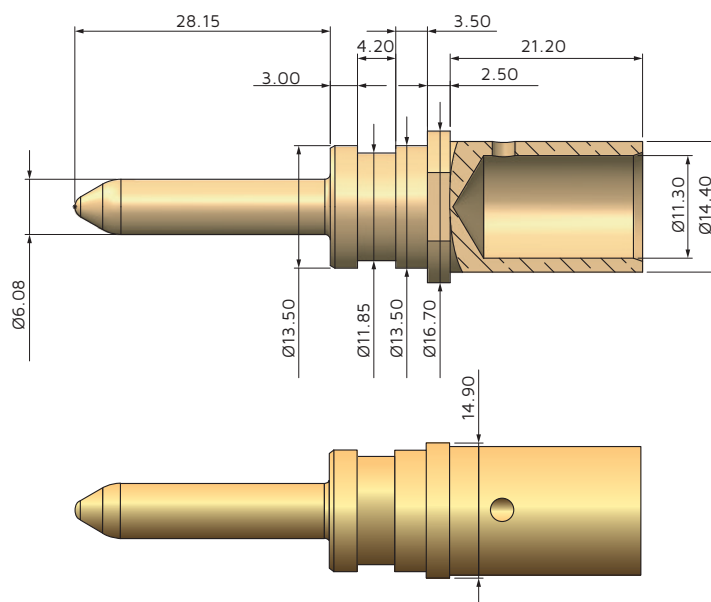
### Female contacts (sockets)



HYP6120127A001

Ordering Number	Internal Part Number	Termination Style	Contact Resistance (m $\Omega$ )	Current Rating (A)	Extraction Force (N)	Contact Life (cycles)	Materials	Plating ( $\mu$ m)
HYP6120127A001	HPG241F32AH	Open both ends	<0.25	200	44.5	Up to 100k	BeCu/Brass	>1.27 gold

### Male contacts (pins)



HYPP612C076A001

Ordering Number	Internal Part Number	Termination Style	Materials	Plating ( $\mu$ m)
HYPP612C076A001	YPN0612-027RI	Crimp	Tellurium copper	>0.762 gold