

# ATTENUATOR CHIP 1 WATT



DATA SHEET

PART SERIES: TS04XXF

SHEET 1 OF 2  
Dwg 1010695

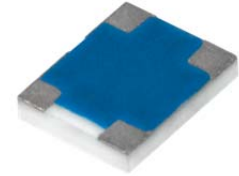
EN 16-1136  
Revision C

## FEATURES

Small Footprint  
High Power  
Surface Mount  
Low VSWR  
Easy Installation  
Wide Attenuation Offering

## APPLICATIONS

Mobile Networks  
Broadcast  
High Power Amplifiers  
Isolators/Circulators  
Military  
Instrumentation



## GENERAL DESCRIPTION

EMC Technology offers the widest selection of chip attenuators worldwide. Chip components are offered in Alumina, Aluminum Nitride, Beryllium Oxide, and CVD diamond for maximum performance.

## ORDERING INFORMATION

**Part Identifier:** TS04XXF  
**(XX) – dB Value**

## SPECIFICATIONS

### 1.0 ELECTRICAL

Nominal Impedance: 50 ohms  
Frequency Range: DC – 6 GHz  
Attenuation Values Available: 1 – 10 in 1 dB increments and 20 dB  
Attenuation Accuracy:

dB	ATTENUATION ACCURACY		
	DC – 2.5 GHz	2.6 – 4 GHz	4 – 6 GHz
1 – 3	±0.3	±0.5	±0.5
4 – 6	±0.4	±0.5	±0.5
7 – 10	±0.5	±0.5	±0.75
20	±2.0	-	-

Input Power CW: 1 Watts full rated power to 85°C, derated linearly to 0 watts at 150°C.  
VSWR: DC – 2.5 GHz - 1.15:1  
2.6 - 6 GHz - 1.25:1

### 2.0 ENVIRONMENTAL

Operating Temperature: -55°C to +150°C  
Non-operating Temperature: -65°C to +150°C

### 3.0 MARKING

Unit Marking: “dB Value” and Input Dot

### 4.0 QUALITY ASSURANCE

**Sample Inspect Per MIL-STD-105, Level II, 1.0% AQL.**  
Visual and Mechanical Inspection for Conformance to Outline Drawing  
Measure Attenuation and VSWR  
Data Retention - Standard

# ATTENUATOR CHIP 1 WATT



## 5.0 PACKAGING

Standard Packaging:

Tape and Reel

## 6.0 MECHANICAL

Resistive Film:

Thin Film, Tantalum Nitride

Terminal Material:

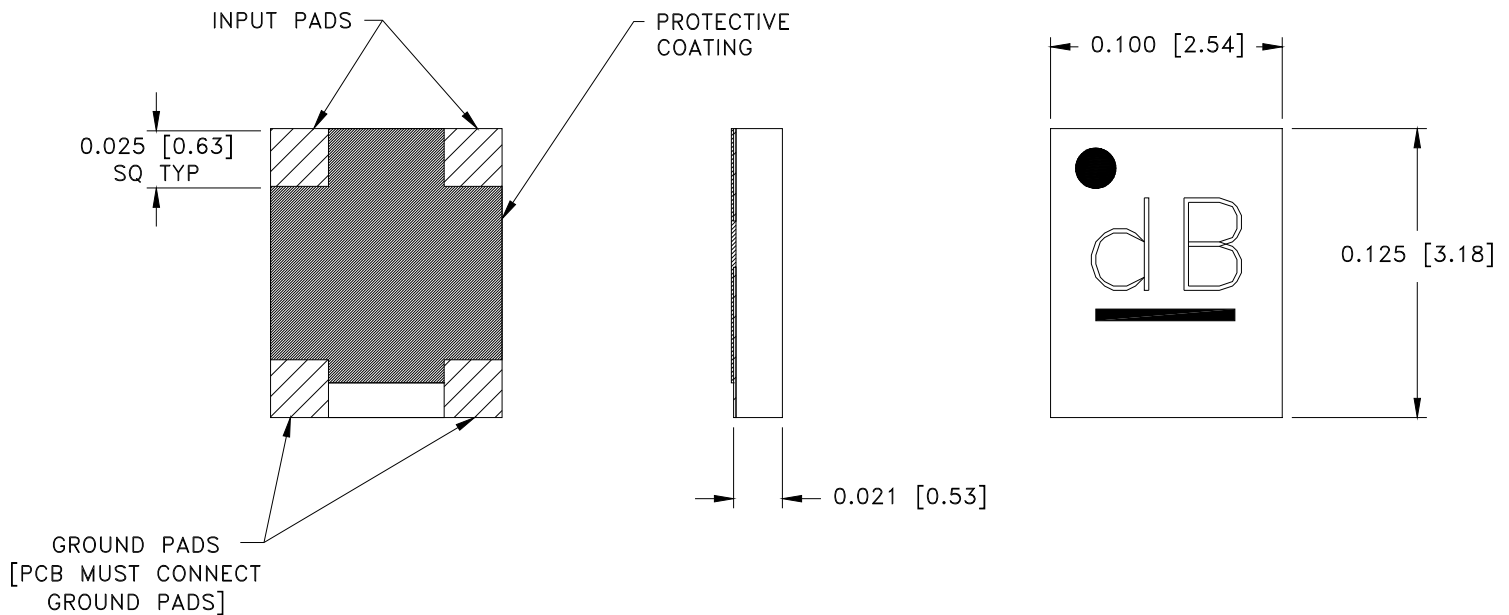
Thick Film, Lead Free Plating

Metric Dimensions:

Provided for reference only

Workmanship

PER MIL-R-55342



Unless Otherwise Specified: TOLERANCE: X.XXX = ± 0.005

## 7.0 SUGGESTED MOUNTING FOOTPRINT

Part Number	Inches						mm					
	A	B	C	D	S	W	A	B	C	D	S	W
TS04XXF	0.027	0.027	0.050	0.027	0.074	0.105	0.69	0.69	1.27	0.69	1.88	2.67

