

# TERMINATION COAXIAL DC-65 GHz



DATA SHEET

PART SERIES: 4182P

SHEET 1 OF 2  
Dwg 1015285

EN 15-1087  
Revision -

## FEATURES

- Solderless Construction
- Low VSWR
- Rugged Construction

## APPLICATIONS

- Mobile Networks
- Broadcast
- High Power Amplifiers
- Isolators
- Military
- Instrumentation



## GENERAL DESCRIPTION

Florida RF Labs has a complete series of SMA, 3.5 mm, 2.9 mm and 1.85mm interface compatible coaxial terminations. These terminations have low VSWR and operate at frequencies from DC to 65 GHz. They are ideal for both laboratory measurements and system use.

## ORDERING INFORMATION

**Part Identifier:** 4182P

## SPECIFICATIONS

### 1.0 ELECTRICAL

Nominal Impedance:	50 ohms
Frequency Range:	DC - 65 Ghz
VSWR:	
DC - 18 Ghz	1.20:1
18 - 40 Ghz	1.30:1
40 - 65 Ghz	1.35:1
Input Power CW:	1 Watt Derates linearly to 10% at 100°C

### 2.0 ENVIRONMENTAL

Operating Temperature:	-55°C to +100°C
Non-operating Temperature:	-55°C to +100°C

### 3.0 MARKING

Unit Marking: FRFL and part number legibility and permanency per MIL-STD-130

### 4.0 QUALITY ASSURANCE

Sample Inspect Per MIL-STD-105, Level II, 1.0% AQL.  
Visual and Mechanical Inspection for Conformance to Outline Drawing  
Measure Resistance and VSWR  
Data Retention – Standard

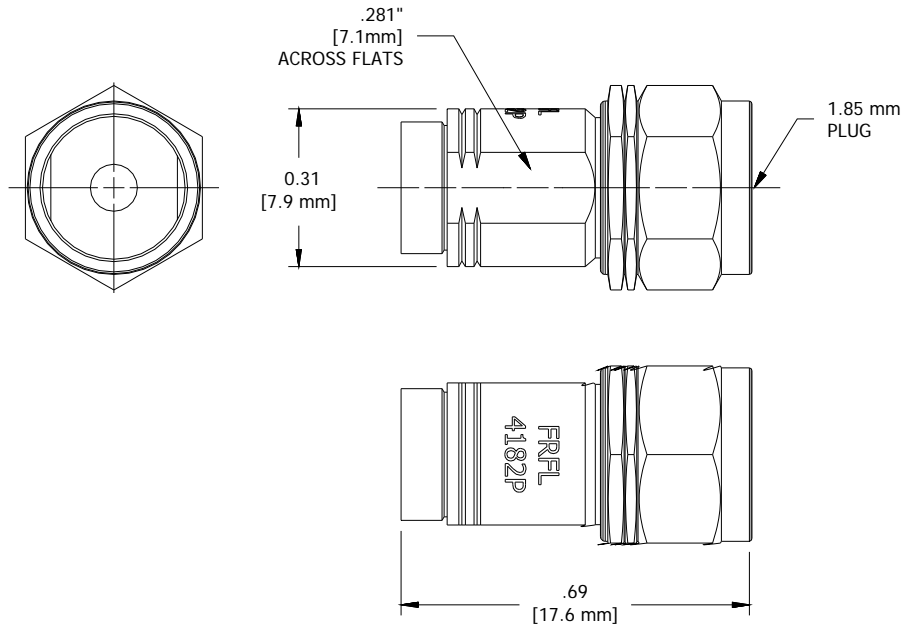
### 5.0 PACKAGING

Standard Packaging: Tray

# TERMINATION COAXIAL DC-65 GHz

## 6.0 MECHANICAL

Body and Nut Material:	Stainless steel IAW ASTM-A484 + ASTM - A582 Alloy 303 Cond A.
Body and Nut Finish:	Passivated Stainless Steel
Center Contact Material:	Beryllium Copper
Center Contact Finish:	Gold Plated IAW MIL-PRF-39012
Dielectric:	Teflon
Torque:	8 in-lbs maximum
Metric Dimensions:	Provided for reference only



Unless Otherwise Specified: TOLERANCE: X.XX =  $\pm 0.03$  X.XXX =  $\pm 0.010$