

TERMINATION TAB & EPOXY 150 WATT



DATA SHEET

PART SERIES: 82A7192TEF

SHEET 1 OF 3
Dwg 1013275

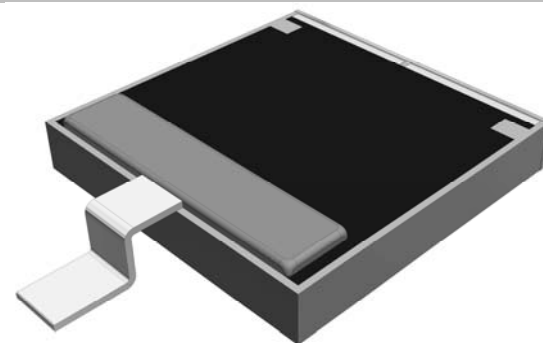
EN 15-1470
Revision B

FEATURES

- Wide Band Response
- High Power
- Direct Attached
- Low VSWR
- Easy installation
- Excellent Heat Transfer

APPLICATIONS

- Mobile Networks
- Broadcast
- High Power Amplifiers
- Isolators
- Military
- Instrumentation



GENERAL DESCRIPTION

EMC Technology offers the widest selection of flangeless terminations worldwide. Tab and epoxy components offer the highest performance of any style of termination component.

ORDERING INFORMATION

Part Identifier: 82A7192TEF

SPECIFICATIONS

1.0 ELECTRICAL

Nominal Impedance:	50 ohms
Frequency Range:	DC - 3.0 GHz
VSWR:	DC-2.7 GHz 1.20:1 Max 2.7-3.0 GHz 1.30:1 Max
Input Power CW:	150 Watts CW
DC Resistance:	50 ohms \pm 2%

2.0 ENVIRONMENTAL

Operating Temperature:	-55°C to +150°C
Non-operating Temperature:	-65°C to +150°C
Temperature Coefficient:	\pm 200 PPM / °C max

3.0 MARKING

Unit Marking:	None
---------------	------

4.0 QUALITY ASSURANCE

Visual and Mechanical Inspection:	Per 824W107
DC Resistance Check:	100% DC Resistance Check
Data Retention:	Standard

5.0 PACKAGING

Standard Packaging:	Tape & Reel
---------------------	-------------

TERMINATION TAB & EPOXY 150 WATT



DATA SHEET

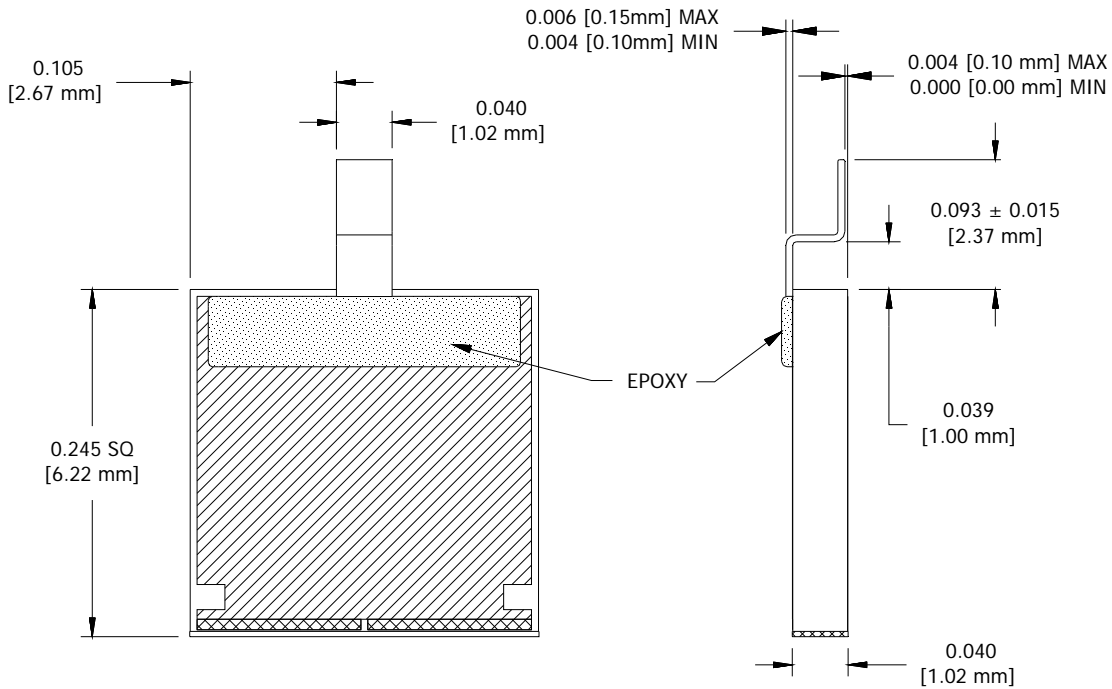
PART SERIES: 82A7192TEF

SHEET 2 OF 3
Dwg 1013275

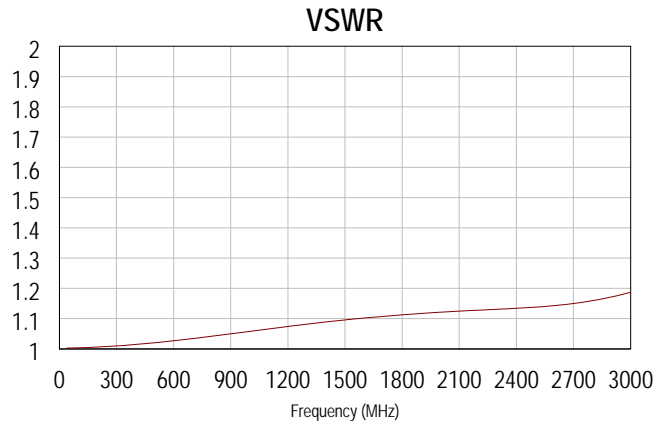
EN 15-1470
Revision B

6.0 MECHANICAL

Substrate Material:	Aluminum Nitride
Resistive Film:	Thin Film
Tab Material:	Beryllium Copper
Tab Finish:	Silver Plated
Metric Dimensions:	Provided for reference only



7.0 TYPICAL PERFORMANCE



Unless Otherwise Specified:

TOLERANCE: X.XX = ± 0.02 X.XXX = ± 0.010

TERMINATION TAB & EPOXY 150 WATT



DATA SHEET

PART SERIES: 82A7192TEF

SHEET 3 OF 3
Dwg 1013275

EN 15-1470
Revision B

TEMPERATURE PROFILE FOR LEAD-FREE PARTS

