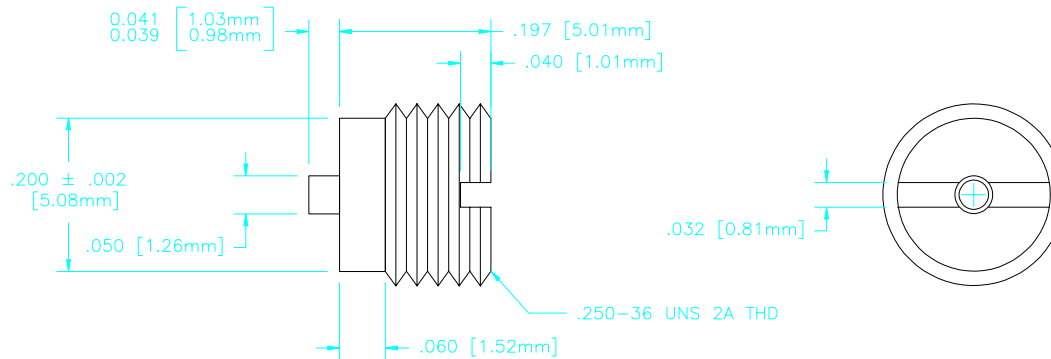


EDD



MATERIAL:
 BODY: BeCu PER ASTM B196
 CONTACT: BeCu PER QQ-C-530
 INSULATOR: TEFLON PER MIL-P-19468
 RESISTOR: THIN FILM

FINISH:
 BODY: NICKEL PER QQ-N-290
 CONTACT: GOLD PER MIL-G-45204

ELECTRICAL:
 DC RESISTANCE: 50 OHMS ± 5%
 FREQUENCY: DC-18.0 GHz
 VSWR: DC-4 GHz 1.10:1 MAX
 4-8 GHz 1.15:1 MAX
 8-12 GHz 1.20:1 MAX
 12-18 GHz 1.30:1 MAX

OPERATING TEMPERATURE: -55° TO +150° C.

<p>8851 SW OLD KANSAS AVE STUART, FL 34997 PHONE NO. (772) 286-4000 FAX NO. (772) 283-5286</p>		<p>UNLESS OTHERWISE SPECIFIED</p> <ol style="list-style-type: none"> DO NOT SCALE DRAWING DIMENSIONS ARE IN INCHES DIMENSIONS ARE AFTER PLATING CORNERS, EDGES AND FILLETS: R 0.005 MAX SURFACE ROUGHNESS: N/A REMOVE ALL BURRS <p>TOLERANCES</p> <p>± .001 ± .005 FRACTIONS ± 0.005 ANGLES</p>	<p>TITLE</p> <p>TERMINATION, SWITCH 1 WATT</p>																
<p>THESE DRAWINGS AND SPECIFICATIONS ARE THE PROPERTIES OF EMC TECHNOLOGY AND FLORIDA RF LABS AND SHALL NOT BE DUPLICATED OR USED AS BASIS FOR THE MANUFACTURE OR SALES OF PARTS OR DEVICES WITHOUT PERMISSION.</p> <p>REFERENCE / MADDIA NO. CUSTOMER - TELEDYNE MICROWAVE 7300048</p>		<p>DRAWING NUMBER</p> <p>42-3006</p>																	
<table border="1"> <tr> <th>REV</th> <th>DATE</th> <th>BY</th> <th>EN NUMBER</th> </tr> <tr> <td>K</td> <td>06/26/13</td> <td>VL</td> <td>13-2045</td> </tr> <tr> <td>J</td> <td>06/05/13</td> <td>SP</td> <td>13-1890</td> </tr> <tr> <td>H</td> <td>07/17/09</td> <td>CRH</td> <td>09-F0709</td> </tr> </table>	REV	DATE	BY	EN NUMBER	K	06/26/13	VL	13-2045	J	06/05/13	SP	13-1890	H	07/17/09	CRH	09-F0709	<p>REVISION</p>	<p>MATERIAL BERYLLIUM COPPER ALLOY</p> <p>FINISH SEE EDD</p>	<p>ENC CAGE CODE 24602</p> <p>RF CAGE CODE 2Y194</p> <p>PLAT SCALE N/A</p> <p>SHEET 1 OF 1</p>
REV	DATE	BY	EN NUMBER																
K	06/26/13	VL	13-2045																
J	06/05/13	SP	13-1890																
H	07/17/09	CRH	09-F0709																