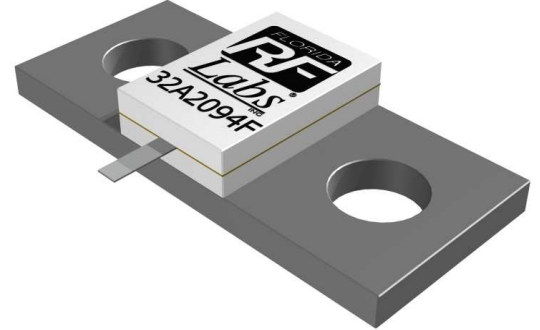


## FEATURES

- Tab Launch
- High Power
- Integrated Heat Sink
- Low VSWR

## APPLICATIONS

- Mobile Networks
- Broadcast
- High Power Amplifiers
- Instrumentation
- Isolators
- Military
- Satellite Communications



## GENERAL DESCRIPTION

Florida RF Labs & EMC Technology offers the widest selection of flange mount terminations worldwide. High Power Flange Mount components offer excellent performance and the convenience of bolt-in installation. The flanged mounted devices deliver power ratings up to 1000 watts and frequency ranges from DC to 18 GHz. The packages are available in single hole, double hole and four hole flange configurations.

## SPECIFICATIONS

### 1.0 ELECTRICAL

Normal Impedance:	50 ohms
Frequency Range:	DC – 3.0 GHz
VSWR (MAX):	1.20:1
Average Power:	250 watts
DC Resistance:	50 ohms ± 5%
Temperature Coefficient:	± 200 PPM / °C max
Operating Temperature:	-55°C to +150 °C

### 2.0 MECHANICAL

Flange:	Copper, Nickel Plated
Substrate:	Beryllium Oxide
Cover:	Alumina
Tab:	Beryllium Copper, Silver Plated
Resistive Element:	Resistive Element:

### 3.0 UNIT MARKING

Logo And Part Number

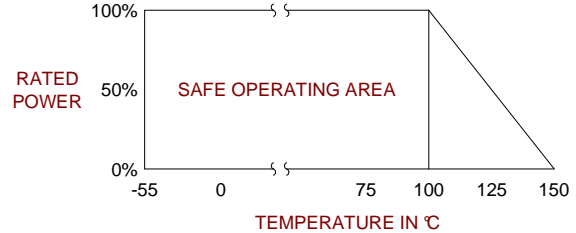
### 4.0 PACKAGING

Standard: Tray Packaging

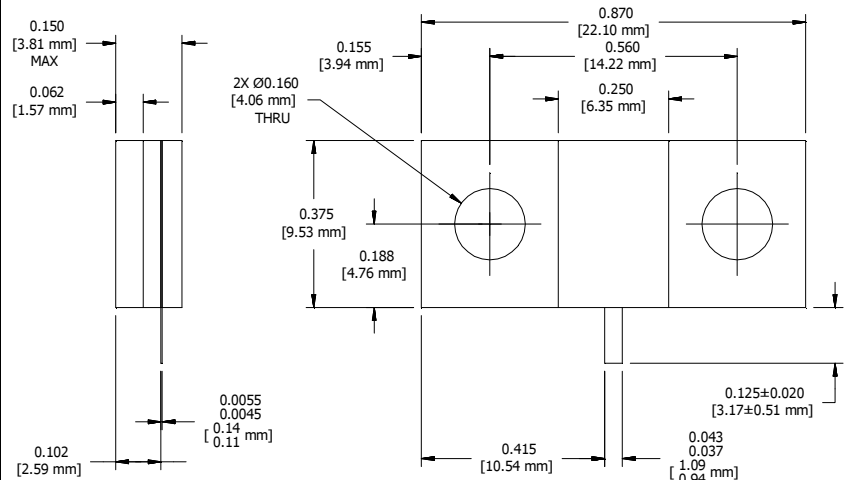
### 5.0 PART NUMBERING

Part Identifier: 32A2094F

## POWER RATING AND DERATING



## MECHANICAL OUTLINE



Note: Specifications are subject to change without notice

Unless Otherwise Specified: TOLERANCE: .XXX = ± .010