

ATTENUATOR CHIP 2 WATT



DATA SHEET

PART SERIES: TS03XXWB1

SHEET 1 OF 2
Dwg 1004115

EN 16-0604
Revision J

FEATURES

Small Footprint
High Power
Surface Mount
Low VSWR
Easy Installation
Wide Attenuation Offering

APPLICATIONS

Mobile Networks
Broadcast
High Power Amplifiers
Isolators/Circulators
Military
Instrumentation



GENERAL DESCRIPTION

EMC Technology offers the widest selection of chip attenuators worldwide. Chip components are offered in Alumina, Aluminum Nitride, Beryllium Oxide, and CVD diamond for maximum performance.

ORDERING INFORMATION

Part Identifier: TS03XXWB1
(XX) – dB Value

SPECIFICATIONS

1.0 ELECTRICAL

Nominal Impedance: 50 ohms
Frequency Range: DC – 8 GHz
Attenuation Values Available: 1 – 20 in 1 dB increments
Attenuation Accuracy:

ATTENUATION ACCURACY		
dB	DC – 4 GHz	4 – 8 GHz
1 – 3	±0.3	±0.5
4 – 6	±0.4	±0.5
7 – 10	±0.5	±0.5
11 – 15	±0.75	+0.5,-3.0
16 - 20	±1.0	+0.5,-4.0

Input Power CW: 2 Watts full rated power to 125°C, derated linearly to 0 watts at 150°C.
Peak Power: 50 watts for 10us pulse width @ 1% duty cycle.
VSWR: 1.30:1 Max

2.0 ENVIRONMENTAL

Operating Temperature: -55°C to +150°C
Non-operating Temperature: -55°C to +150°C
Temperature Coefficient: +/-200 PPM / °C max
Altitude Non-Operating: Sea Level to 50,000 Feet.
Altitude Operating: Sea Level to 50,000 Feet.
Vibration: Per MIL-STD-202, METHOD 204, COND. D.
Shock: Per MIL-STD-202, METHOD 213, COND. I.
Moisture Resistance: Per MIL-STD-202, METHOD 106 Except Sub cycle Steps 7a and 7b. Polarization and Load Are Not Applicable.

3.0 MARKING

Unit Marking: "dB Value"

ATTENUATOR CHIP 2 WATT



DATA SHEET

PART SERIES: TS03XXWB1

SHEET 2 OF 2
Dwg 1004115

EN 16-0604
Revision J

4.0 QUALITY ASSURANCE

Sample Inspect Per MIL-STD-105, Level II, 1.0% AQL₂

Visual and Mechanical Inspection for Conformance to Outline Drawing

Measure Attenuation and VSWR

Data Retention - Standard

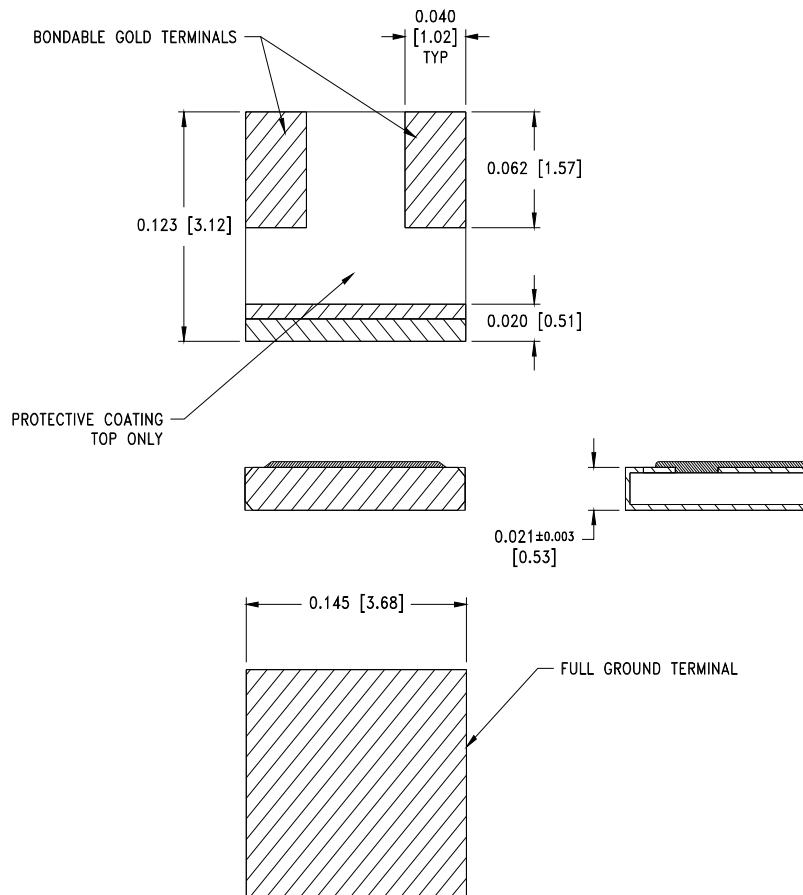
5.0 PACKAGING

Standard Packaging:

Tape and Reel

6.0 MECHANICAL

Resistive Film:	Thin Film, Tantalum Nitride
Terminal Material:	Thick Film, Bondable Gold
Metric Dimensions:	Provided for reference only
Workmanship	PER MIL-R-55342



Unless Otherwise Specified: TOLERANCE: X.XXX = ± 0.005