

RESISTOR

FLANGE MOUNT 10 WATT



DATA SHEET

PART SERIES: 5318 X,X

SHEET 1 OF 2
Dwg 1004255

EN 16-0877
Revision F

FEATURES

- Tab Launch
- High Power
- Integrated Heat Sink
- Low Capacitance
- Easy Installation
- Wide Resistance Range

APPLICATIONS

- Broadcast
- High Power Filters
- High Power Amplifiers
- Isolators
- Military
- Instrumentation



GENERAL DESCRIPTION

EMC Technology offers the widest selection of flange mount resistors worldwide. High power flange components offer excellent performance and the convenience of bolt on installation.

ORDERING INFORMATION

Part Identifier:

5318 X,X
└───┬───┘
 └───┘
 Tolerance
 Value

SPECIFICATIONS

1.0 ELECTRICAL

Resistance Range:	25Ω to 250Ω
Resistance Tolerance:	±5%
Typical Capacitance:	1.3pf
Input Power CW:	10 @ 100°C Heat sink, derated linearly to zero power at 150°C
Peak Power:	100 Watts (Based on 100 μs pulse width and 1% duty cycle)

2.0 ENVIRONMENTAL

Operating Temperature:	-55°C to +150°C
Non-operating Temperature:	-65°C to +150°C
Temperature Coefficient:	+/-200 PPM / °C max

3.0 MARKING

Unit Marking:	Logo
---------------	------

4.0 QUALITY ASSURANCE

Visual and Mechanical Inspection:	Per 824W107
DC Resistance Check:	100% DC Resistance Check
Data Retention:	Standard

5.0 PACKAGING

Standard Packaging:	Tray
---------------------	------

RESISTOR

FLANGE MOUNT 10 WATT



DATA SHEET

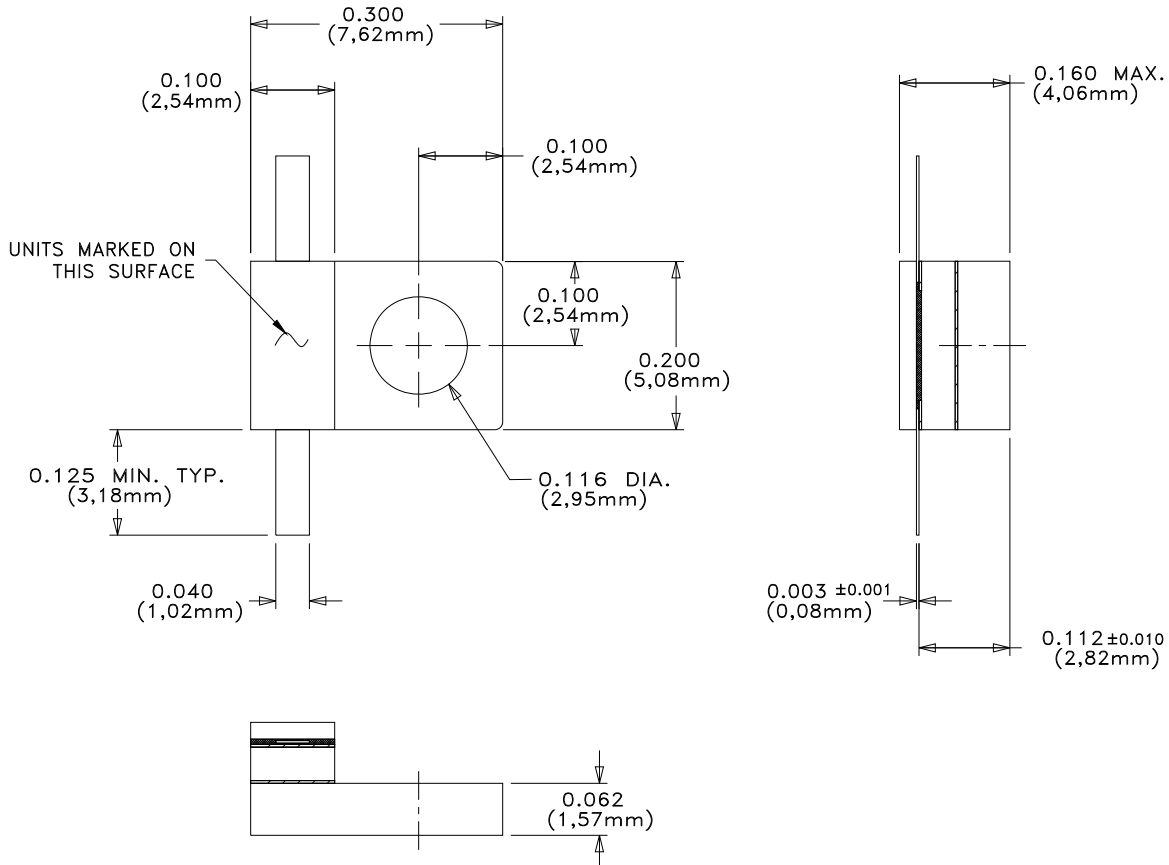
PART SERIES: 5318 X,X

SHEET 2 OF 2
Dwg 1004255

EN 16-0877
Revision F

6.0 MECHANICAL

Substrate Material:	Beryllia, ASTM F356
Resistive Film:	Thickfilm
Cover Material:	Alumina, MIL -I-10
Tab Material:	Beryllium Copper, ASTM B194
Tab Finish:	Gold, MIL-G-45204, TYPE II, Class 1.
Flange Material:	Copper, ASTM B187
Flange Finish:	Nickel, QQ-N-290
Workmanship:	PER MIL-STD-454, Requirement 9, and MIL-R-55342.
Metric Dimensions:	Provided for reference only



ALLOW ±0.010 ON TOP PLATE FOR MISALIGNMENT

Unless Otherwise Specified: TOLERANCE: X.XX = ± 0.XX X.XXX = ± 0.005