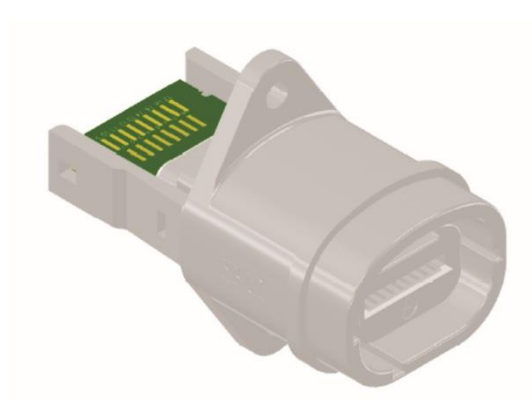


Assembly Instructions

Panel Mount Receptacle Connector

ECL34ERX/ECL34ERX-N

02/21/2018

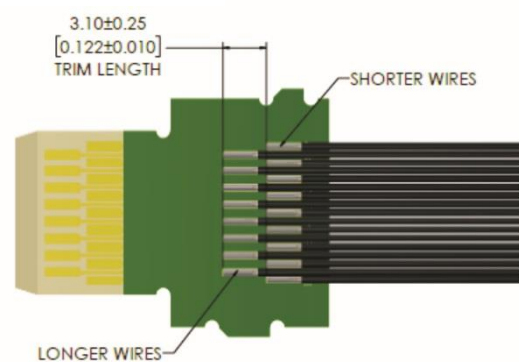
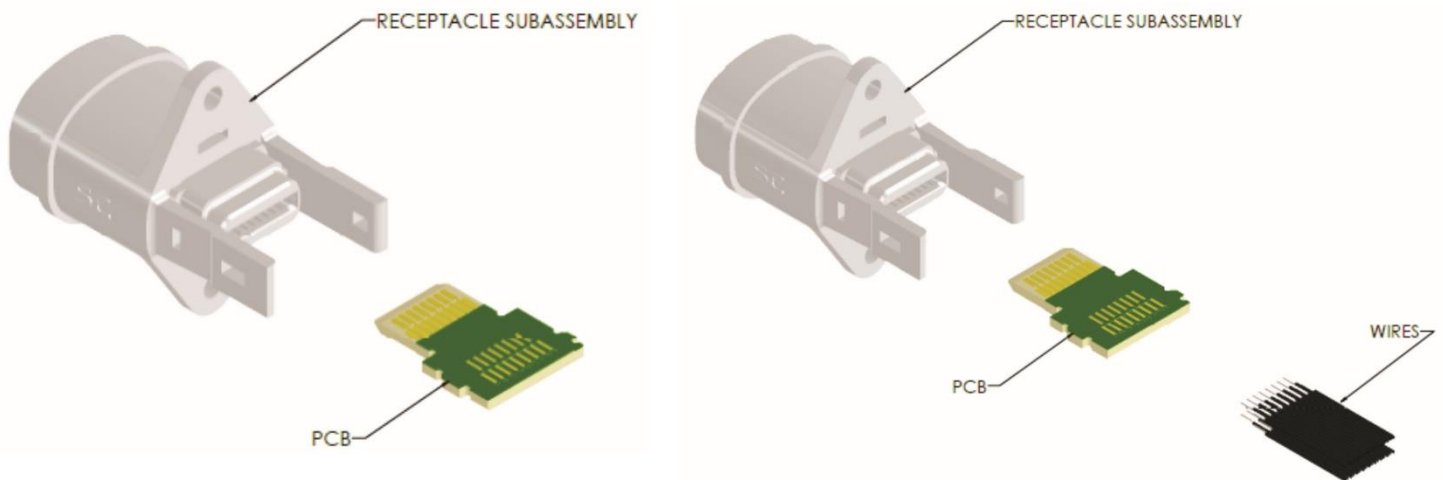


Assembly Instructions

Panel Mount Receptacle Connector – ECL34ERX/ECL34ERX-N

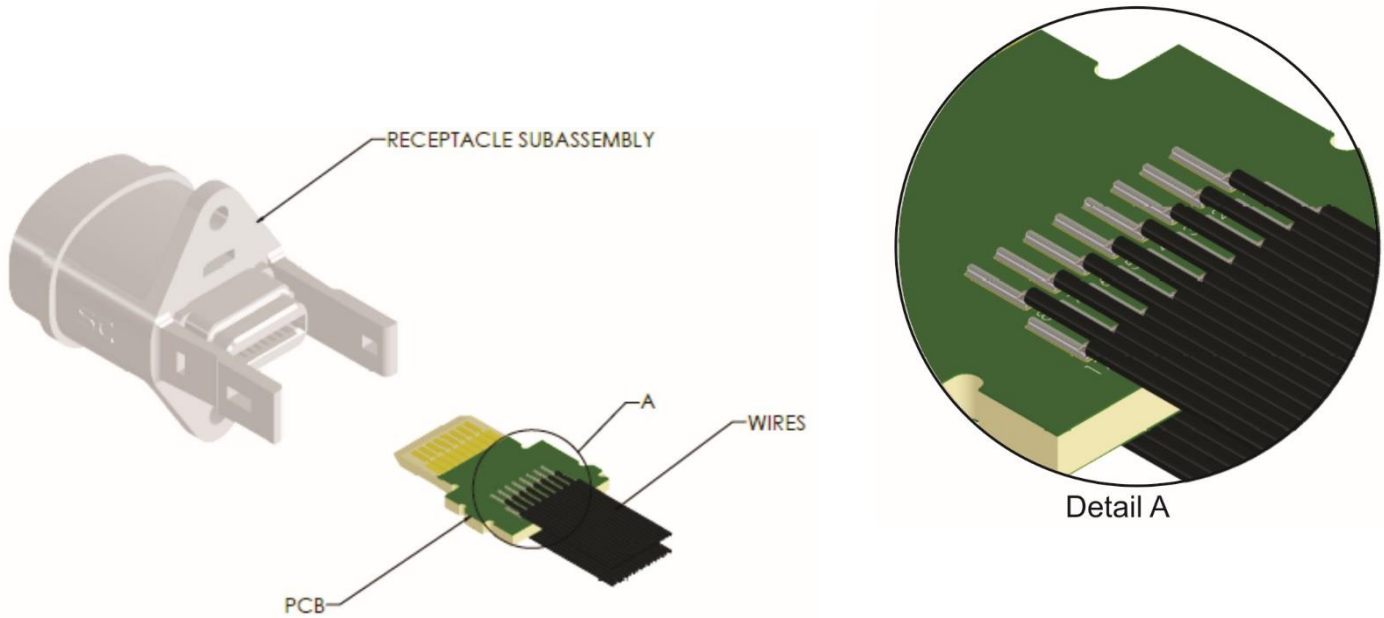
Panel Mount Receptacle Connector- Eclipta	
Connector Kit with PCB PN:	ECL34ERX
Connector Kit without PCB PN:	ECL34ERX-N
Standard PCB PN:	PCB0079
'X' represents Keying Designation ('A' through 'F')	

Step 1: Trim and strip wires to length

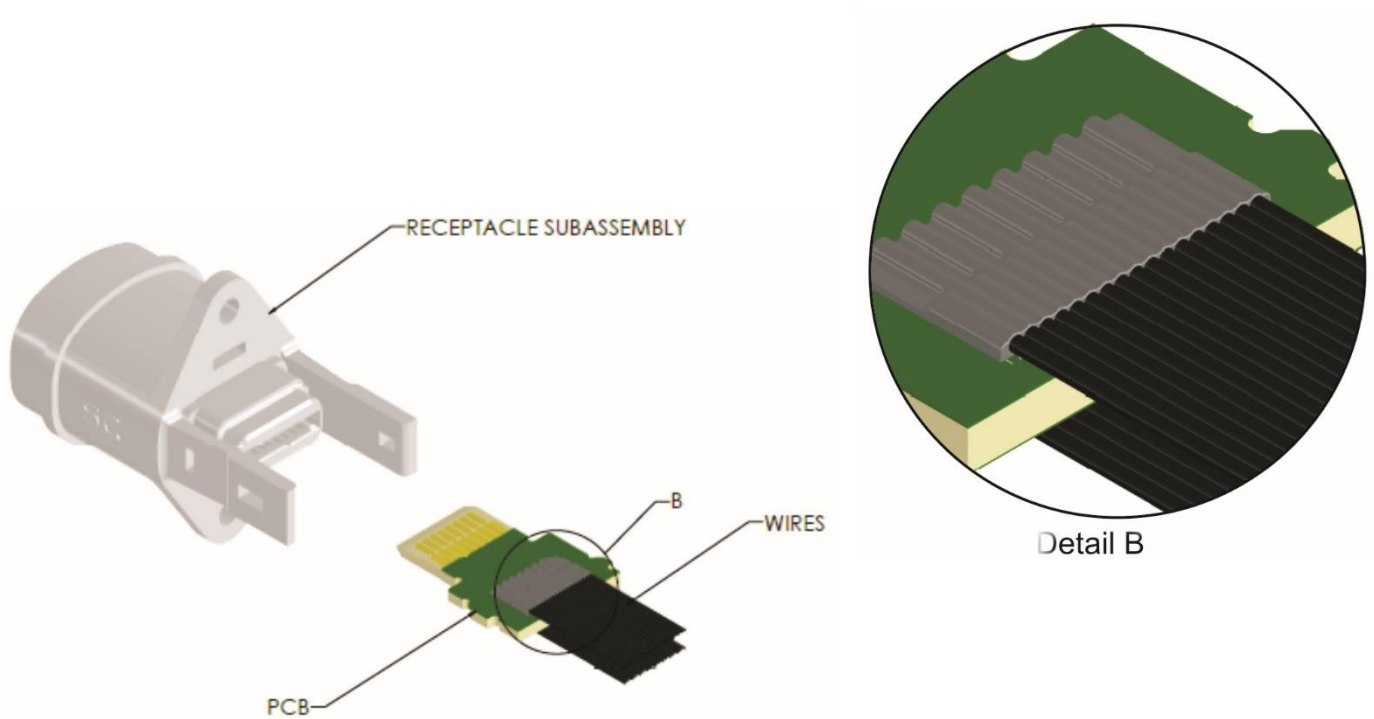


	Strip Length [mm]	Trim Length [mm]
Shorter Wires	2.25 ± 0.25	3.10 ± 0.25
Longer Wires	2.25 ± 0.25	N/A

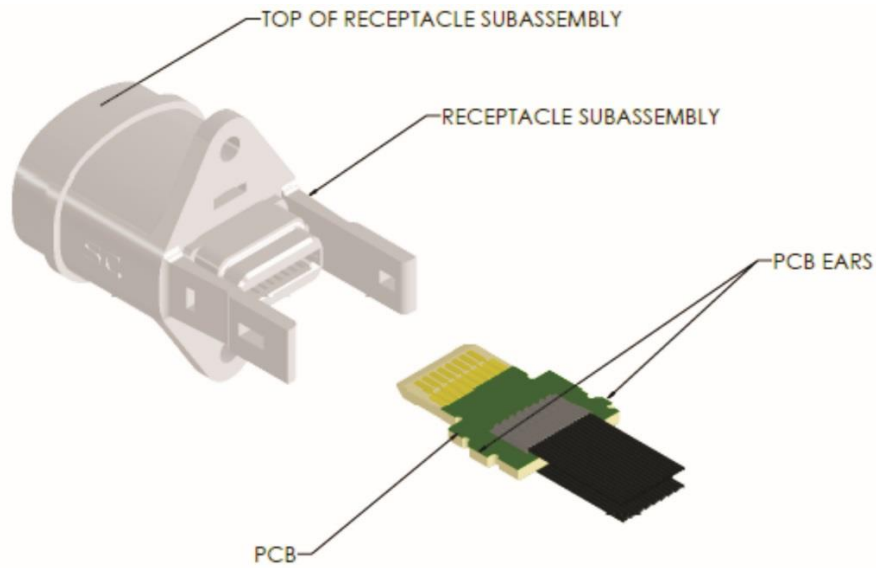
Step 2: Solder wires onto PCB per wiring diagram (customer supplied).
Soldering shall conform to most recent revision of J-STD-001, Class 2 Product



Step 3: Apply Epoxy over the soldered wire-connections and fully cure before moving onto the next step.



Step 4: Position PCB as depicted below, assuring the ears of the PCB are oriented relative to the top of receptacle subassembly as depicted in images below.



Step 5: Install PCB into receptacle subassembly until both ears of PCB snap into place.

