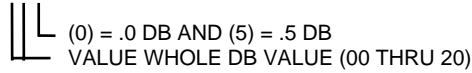


TITLE: SPECIFICATION CONTROL DRAWING

PART IDENTIFIER: TT3XXXF



DESCRIPTION: CHIP ATTENUATOR LEAD FREE

ASSEMBLY DWG: 1901754

1.0 SPECIFICATIONS:

1.1 ELECTRICAL:

- 1.1.1 IMPEDANCE: 50 OHMS NOMINAL.
- 1.1.2 FREQUENCY RANGE: DC-12.4 GHZ.
- 1.1.3 ATTENUATION VALUES AVAILABLE: 0-20DB IN 0.5DB INCREMENTS.
- 1.1.4 ATTENUATION ACCURACY: SEE TABLE.

| ATTENUATION ACCURACY | | | |
|----------------------|------------|-----------|--------------|
| DB | DC - 4 GHZ | 4 - 8 GHZ | 8 - 12.4 GHZ |
| 0 | -0, +0.3 | -0, +0.5 | -0, +0.5 |
| 1 - 3.5 | ±0.3 | ±0.5 | ±0.5 |
| 4 - 6.5 | ±0.4 | ±0.5 | ±0.5 |
| 7 - 10.5 | ±0.5 | ±0.5 | ±0.75 |
| 11 - 15.5 | ±0.75 | +0.5,-3.0 | +0.5,-3.5 |
| 16 - 20 | ±1.0 | +0.5,-4.0 | +1.0,-6.0 |

- 1.1.5 VSWR: 1.30 MAX.
- 1.1.6 INPUT POWER: 2 WATTS CW.
 - 1.1.6.1 FULL RATED POWER TO 125°C, DERATED LINEARLY TO 0 WATTS AT 150°C.
 - 1.1.6.2 PEAK POWER, 50 WATTS FOR 10US PULSE WIDTH @ 1% DUTY CYCLE.
- 1.2 MECHANICAL:
 - 1.2.1 OUTLINE DWG: SEE SHEET 2.
 - 1.2.2 WORKMANSHIP: PER MIL-PRF-55342.
- 1.3 ENVIRONMENTAL:
 - 1.3.1 ALTITUDE:
 - 1.3.1.1 NON-OPERATING: SEA LEVEL TO 50,000 FEET.
 - 1.3.1.2 OPERATING: SEA LEVEL TO 50,000 FEET.
 - 1.3.2 TEMPERATURE RANGE:
 - 1.3.2.1 NON-OPERATING: -55°C TO +150°C.
 - 1.3.2.2 OPERATING: -55°C TO +150°C.
 - 1.3.3 VIBRATION: PER MIL-STD-202, METHOD 204, COND. D.
 - 1.3.4 SHOCK: PER MIL-STD-202, METHOD 213, COND. I.
 - 1.3.5 MOISTURE RESISTANCE: PER MIL-STD-202, METHOD 106 EXCEPT SUBCYCLE STEPS 7A AND 7B AND POLARIZATION AND LOAD ARE NOT APPLICABLE.
- 1.4 ELECTROSTATIC DISCHARGE CONTROL: PER MIL-STD-1686.

2.0 UNIT MARKING: "DB VALUE", GREEN DOT ADDS 0.5DB. LEGIBILITY AND PERMANENCY PER MIL-STD-130.

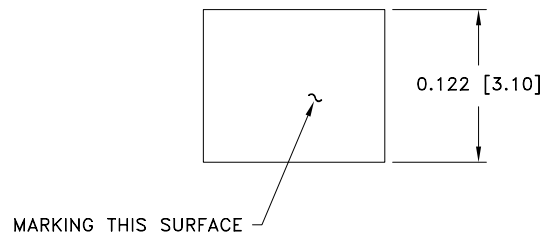
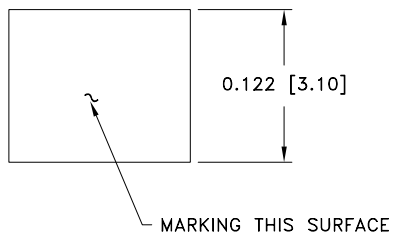
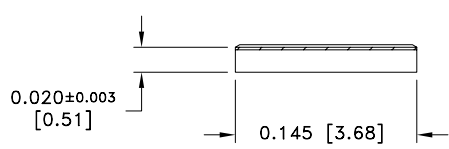
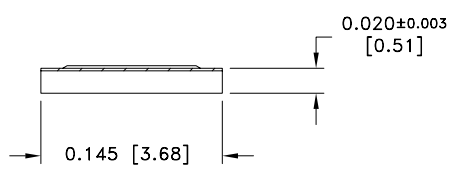
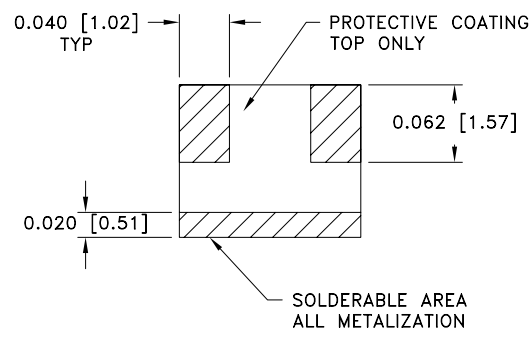
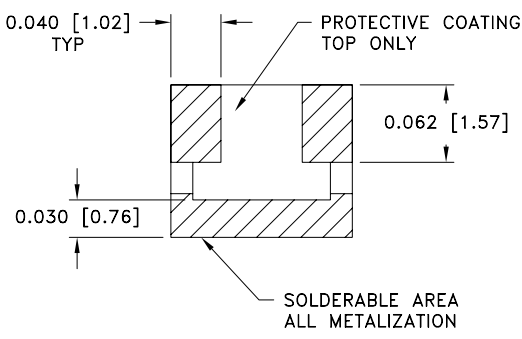
3.0 QUALITY ASSURANCE:

- 3.1 SAMPLE INSPECT PER ANSI/ASQC Z1.4 GENERAL INSPECTION, LEVEL II, AQL = 1.0..
 - 3.1.1 VISUAL AND MECHANICAL EXAMINATION FOR CONFORMANCE TO OUTLINE DRAWING REQUIREMENTS.
- 3.2 PERFORM INSPECTION IN ACCORDANCE WITH 824W170 AND 824F036 FOR COMMERCIAL GRADE PRODUCT.
- 3.3 TEST DATA REQUIREMENTS:
 - 3.3.1 NO TEST DATA REQUIRED FOR CUSTOMER.
 - 3.3.1 DATA RETENTION – 24 MONTHS.

4.0 PACKAGING: STANDARD PACK PER 755W002.

| | | | | |
|--|--------------------------|------------|----------------|------------|
| EMC TECHNOLOGY 8851 SW OLD KANSAS AVE. STUART, FL 34997 | CAGE CODE # 24602 | | DWG # | 1010875000 |
| | CHANGE NOTICE | EN 10-0911 | REV LVL | A |
| | | | SHEET | 1 OF 2 |

PART ID REF
TT3XXXF



0-10.5dB

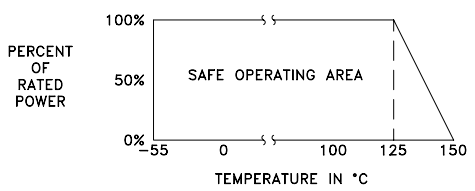
11-20dB

MECHANICAL SPECIFICATIONS:

SUBSTRATE:
MATERIAL - ALUMINA 96%, MIL-I-10.
TERMINAL:
MATERIAL - THICK FILM, LEAD FREE PLATING
RoHS COMPLIANT.
RESISTIVE ELEMENT:
MATERIAL - TANTALUM NITRIDE.

METRIC EQUIVALENTS GIVEN IN [mm]
FOR REFERENCE INFORMATION ONLY

POWER RATING AND DERATING



8851 SW OLD KANSAS AVE
STUART, FL 34997
PHONE NO. (772)286-9300
FAX NO. (772)283-5286

UNLESS OTHERWISE SPECIFIED DIMENSIONS ARE IN INCHES
TOLERANCES
FRACT ---
ANG ---
XX ---
XXX ±0.005
XXXX ---

THESE DRAWINGS AND SPECIFICATIONS ARE THE PROPERTY OF EMC TECHNOLOGY INC AND SHALL NOT BE DUPLICATED OR USED AS BASIS FOR THE MANUFACTURE OR SALE OF PARTS OR DEVICES WITHOUT PERMISSION.

| | | | | |
|--------------------|-----------------------------|--------------------------|-----------------|----------------------------|
| CAGE CODE 24602 | SCALE 10:1 | DRAWN BY JG 5/18/05 | CHECKED BY | APPROVED BY DAR 5/18/05 |
| REV A | CHANGE NOTICE EN 10-0911 | DRAWING NO 1010875000 | SHEET 2 OF 2 | |