

TITLE: SPECIFICATION CONTROL DRAWING

PART IDENTIFIER: CT3725F

DESCRIPTION: HIGH POWER CHIP TERMINATION, BERYLLIA, LEAD FREE PLATING.

ASSEMBLY DWG: 1102084

1.0 SPECIFICATIONS:

- 1.1 ELECTRICAL:
 - 1.1.1 IMPEDANCE: 50Ω NOMINAL.
 - 1.1.2 FREQUENCY: DC - 2 GHZ.
 - 1.1.3 VSWR: 1.25:1 MAX.
 - 1.1.4 INPUT POWER:
 - 1.1.4.1 HEAT SINK 100°C: 150 WATTS (DERATE POWER LINEARLY TO 0 WATTS @ 125°C).
- 1.2 MECHANICAL:
 - 1.2.1 OUTLINE DWG: SEE SHEET 2.
 - 1.2.2 WORKMANSHIP: PER MIL-STD-454, REQUIREMENT 9.
- 1.3 ENVIRONMENTAL:
 - 1.3.1 TEMPERATURE RANGE:
 - 1.3.1.1 NON-OPERATING: -55°C TO +150°C.
 - 1.3.1.2 OPERATING: -55°C TO +125°C.

2.0 UNIT MARKING: NONE.

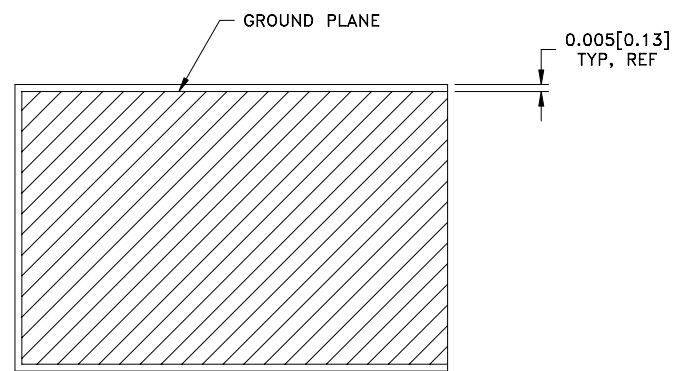
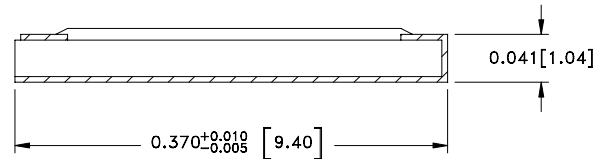
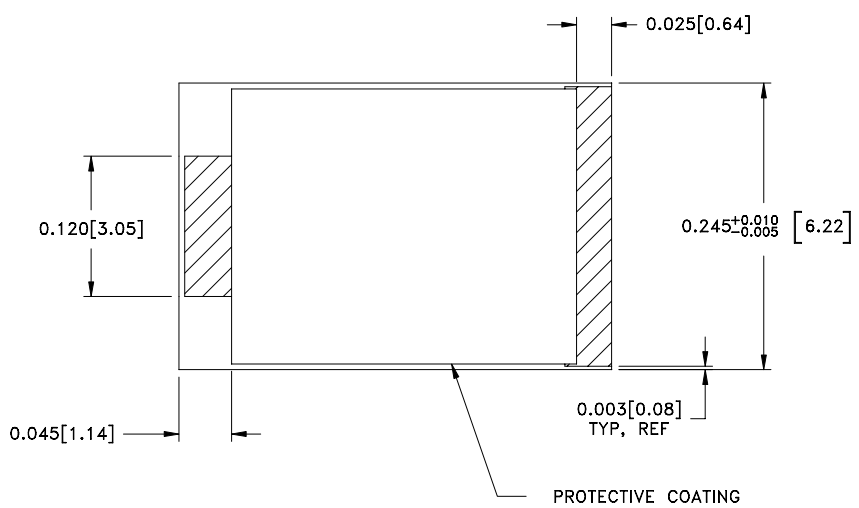
3.0 QUALITY ASSURANCE:

- 3.1 SAMPLE INSPECT PER ANSI/ASQC Z1.4 GENERAL INSPECTION, LEVEL II, AQL = 1.0.
 - 3.1.1 VISUAL AND MECHANICAL PER 824W154.
 - 3.1.2 DC RESISTANCE: 50Ω ± 5%.
- 3.2 DATA REQUIREMENTS:
 - 3.2.1 NO TEST DATA REQUIRED.
 - 3.2.2 DATA RETENTION - STANDARD.

4.0 PACKAGING: STANDARD PACKING PER 755W002.

| | | | | |
|--|--------------------------|-------------|----------------|------------|
| EMC TECHNOLOGY 8851 SW OLD KANSAS AVE. STUART, FL 34997 | CAGE CODE # 24602 | | DWG # | 1010385000 |
| | CHANGE NOTICE | EN 08-E0615 | REV LVL | A |
| | | | SHEET | 1 OF 2 |

PART ID REF
CT3725F



METRIC EQUIVALENTS GIVEN IN [mm]
ARE FOR REFERENCE INFORMATION ONLY

MECHANICAL SPECIFICATIONS

SUBSTRATE:
MATERIAL - BERYLLIA, ASTM F356.
TERMINAL & GROUND PLANE:
MATERIAL - THICK FILM, LEAD FREE PLATING.
ROHS COMPLIANT.
RESIST:
MATERIAL - THICK FILM.



8851 SW OLD KANSAS AVE
STUART, FL 34997
PHONE NO. (772) 286-9300
FAX NO. (772) 283-5286

UNLESS OTHERWISE SPECIFIED DIMENSIONS ARE IN INCHES
TOLERANCES
FRACT ---
ANG ---
XX ---
XXX ±0.005
XXXX ---

THESE DRAWINGS AND SPECIFICATIONS ARE THE PROPERTY OF EMC TECHNOLOGY INC AND SHALL NOT BE DUPLICATED OR USED AS BASIS FOR THE MANUFACTURE OR SALE OF PARTS OR DEVICES WITHOUT PERMISSION.

| | | | | |
|--------------------|------------------------------|--------------------------|-----------------|-------------|
| CAGE CODE 24602 | SCALE 10:1 | DRAWN BY JG 8/1/08 | CHECKED BY | APPROVED BY |
| REV A | CHANGE NOTICE EN 08-E0615 | DRAWING NO 1010385000 | SHEET 2 OF 2 | |