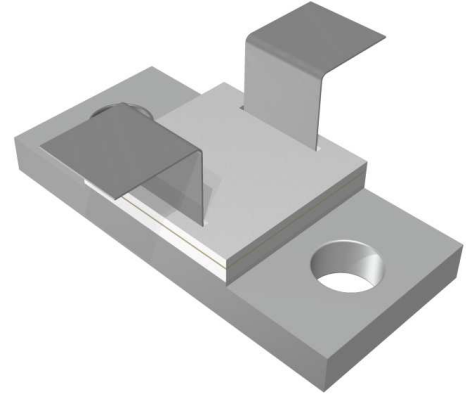


## FEATURES

- Vertical Tab Launch
- High Power
- High Voltage
- Integrated Heat Sink

## APPLICATIONS

- Broadcast
- High Power Amplifiers
- Plasma Generators
- Instrumentation
- Power Combiners
- Wilkinson Dividers
- High Power Filters



## GENERAL DESCRIPTION

Florida RF Labs offers the widest selection of flange mount resistors worldwide. High power flange mount components offer excellent performance and the convenience of bolt-in installation. The flanged mounted devices deliver power ratings up to 1000 watts. The packages are available in single hole, double hole and four hole flange configurations.

## SPECIFICATIONS

### 1.0 ELECTRICAL

- Temperature Coefficient:  $\pm 200$  PPM/°C Max
- Power Rating: 400 Watts
- Operating Temperature: -55 °C To +150 °C
- Resistance Values: 5-200  $\Omega$
- Resistance Tolerance:  $\pm 5\%$
- Typical Capacitance: 3.25 pF
- Voltage Breakdown: 2.5 KV Min @ 25°C 50% RH

### 2.0 MECHANICAL

- Flange: Copper, Nickel Plated
- Substrate: BeO
- Cover: Alumina
- Tab: Beryllium Copper, Silver Plated
- Resistive Film: Thin Film

### 3.0 UNIT MARKING

Resistance Value and Logo

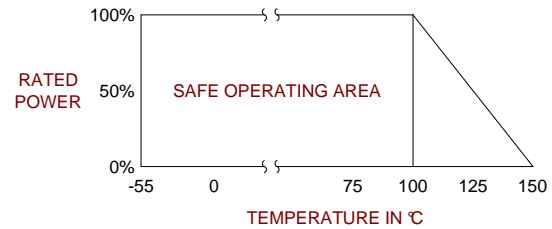
### 4.0 PACKAGING

- Standard: Tray Packaging

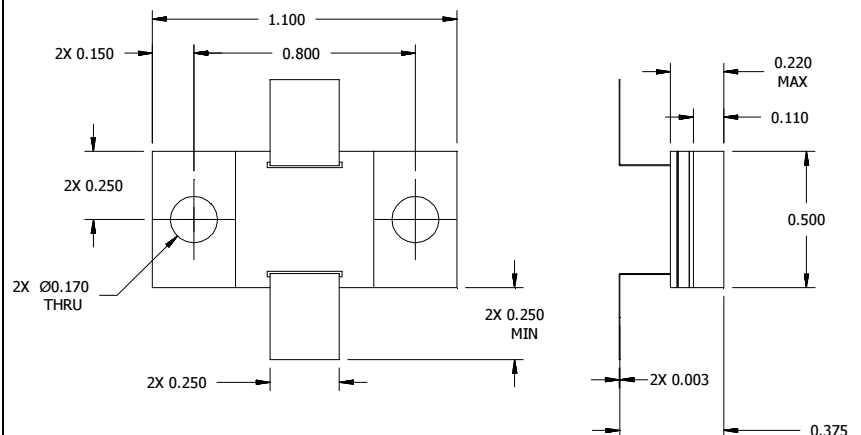
### 5.0 PART NUMBERING

- Part Identifier: 31A1130\*F  
\* = Resistance Value

## POWER RATING AND DERATING



## MECHANICAL OUTLINE



Note: Specifications are subject to change without notice. TOLERANCE .XXX=  $\pm .010$