

EDD

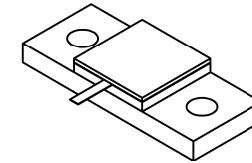
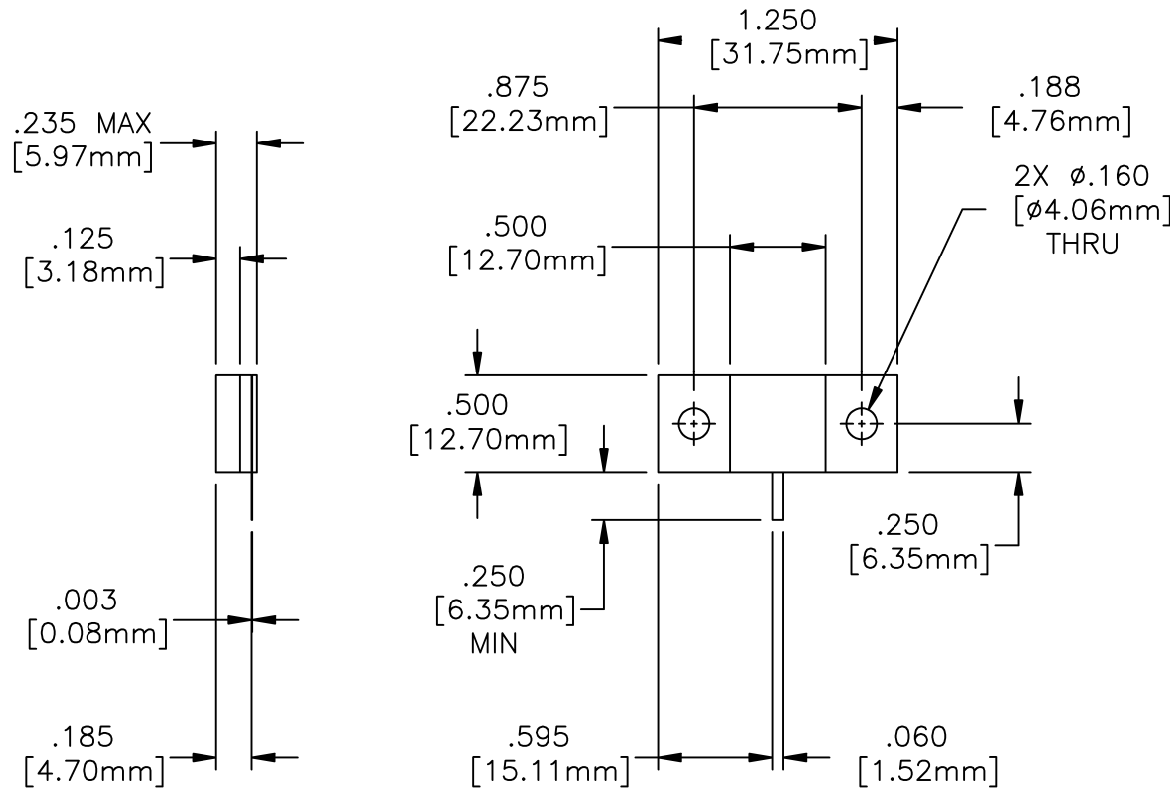
DRAWING NO.:

32A1212F

REV.

-

NOTES:
UNLESS OTHERWISE SPECIFIED, TOLERANCES ARE $\pm .010$ " [.254mm].



MATERIALS:


FLANGE: COPPER 1/4 HD
SUBSTRATE: BERYLLIUM OXIDE
COVER: ALUMINA
TAB: BERYLLIUM COPPER PER ASTM B194
RESISTIVE FILM: THIN FILM

FINISH:

RoHS COMPLIANT
FLANGE: NICKEL OVER COPPER
TAB: SILVER PLATED

ELECTRICAL:

NOMINAL IMPEDANCE: 50 OHMS
FREQUENCY RANGE: DC-1 GHz
VSWR (MAX): 1.065:1
AVERAGE POWER: 500 WATTS
DC RESISTANCE: $50 \pm 5\%$ OHMS
TEMPERATURE COEFFICIENT: ± 200 PPM
OPERATING TEMPERATURE: -55°C TO $+150^{\circ}\text{C}$

				EN# 09-F0494	APVD	DATE	REFERENCE		 8851 OLD KANSAS AVE. STUART, FL. 34997 772-286-9300
				UNLESS OTHERWISE SPECIFIED 1. DO NOT SCALE DRAWING 2. DIMENSIONS ARE IN INCHES 3. DIMENSIONS ARE AFTER PLATING 4. CORNERS, EDGES AND FILLETS: R MAX 5. SURFACE ROUGHNESS: 6. REMOVE ALL BURRS			CATALOG		
				TOLERANCES .X \pm .XX \pm .XXX \pm ANGLES X' \pm			MATERIAL		TERMINATION, FLANGE MOUNT, 500 WATT
				THE INFORMATION CONTAINED HEREIN IS: (A) CONSIDERED PROPRIETARY TO FLORIDA RF LABS INC.; (B) PROTECTED BY COPYRIGHT OWNED BY FLORIDA RF LABS INC.; (C) CONSIDERED A "WORK FOR HIRE" UNDER COPYRIGHT LAW; (D) PROTECTED BY TRADE SECRET LAWS WHICH MAKE ILLEGAL THE MISAPPROPRIATION OF THIS INFORMATION; AND (E) IS TO BE USED SOLELY FOR THE PURPOSE WHICH IT IS SUPPLIED. THIS INFORMATION SHALL NOT BE DISCLOSED IN WHOLE OR IN PART, TO ANY PARTY, FOR ANY REASON WITHOUT THE EXPRESS WRITTEN CONSENT OF A QUALIFIED EXECUTIVE OF FLORIDA RF LABS INC.			FINISH		
REV.	DESCRIPTION	DRAWN	APVD.	SCALE	CAGE CODE ID NO.	SIZE	DRAWING NO.:		
				1/1	2Y194	A	32A1212F		-
				MFG:	CHKD.:	DRAWN: CRH 10/17/08		SHEET	OF