

# TERMINATION FLANGE MOUNT 10 WATT



DATA SHEET

PART SERIES: 32-7024

SHEET 1 OF 2  
Dwg 32-7024

EN 13-3518  
Revision-

## FEATURES

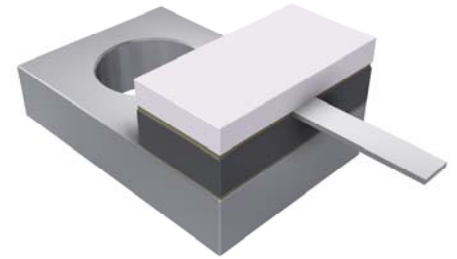
Tab Launch  
High Power  
Integrated Heat Sink  
Low VSWR  
Easy Installation

## APPLICATIONS

Mobile Networks  
Broadcast  
High Power Amplifiers  
Isolators  
Military  
Instrumentation

## GENERAL DESCRIPTION

EMC Technology offers the widest selection of flange mount terminations worldwide. High power flange components offer excellent performance and the convenience of bolt on installation.



## ORDERING INFORMATION

**Part Identifier:** 32-7024

## SPECIFICATIONS

### 1.0 ELECTRICAL

Nominal Impedance:	50 ohms
Frequency Range:	DC – 18.0 GHz
VSWR:	DC - 4.0 GHz 1.25:1 Max 4.0 – 12.0 GHz 1.35:1 Max 12.0 - 18.0 GHz 1.60:1 Max
Input Power CW:	10 Watts @ 100°C heat sink, derated linearly to zero power and 150°C
Peak Power:	100 Watts (based on 10us pulse width and 1% duty cycle)
DC Resistance:	50 $\Omega$ $\pm$ 5%

### 2.0 ENVIRONMENTAL

Operating Temperature:	-55°C to +150°C
Non-operating Temperature:	-65°C to +150°C
Temperature Coefficient:	+/-200 PPM / °C max

### 3.0 MARKING

Unit Marking: Logo and Part Number, legibility and permanency per MIL-STD-130

### 4.0 QUALITY ASSURANCE

Visual and Mechanical Inspection:	Per 824W107
DC Resistance Check:	100% DC Resistance Check
Data Retention:	Standard

### 5.0 PACKAGING

Standard Packaging: Tray Packaging

# TERMINATION FLANGE MOUNT 10 WATT



DATA SHEET

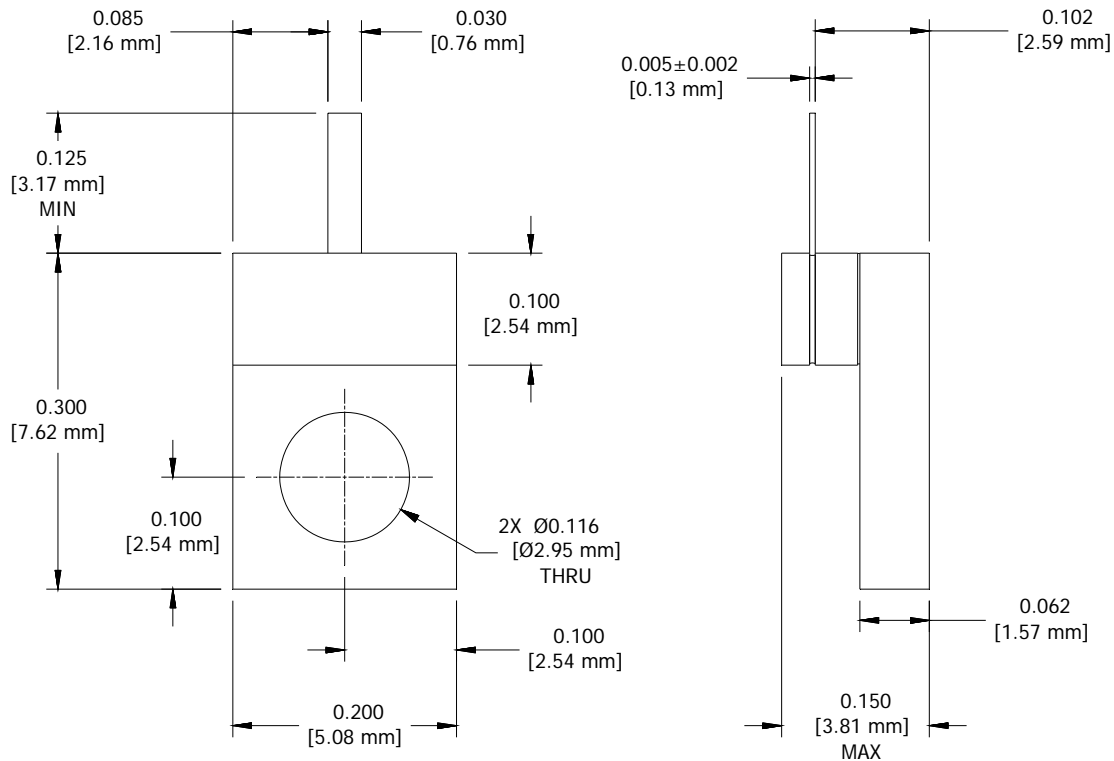
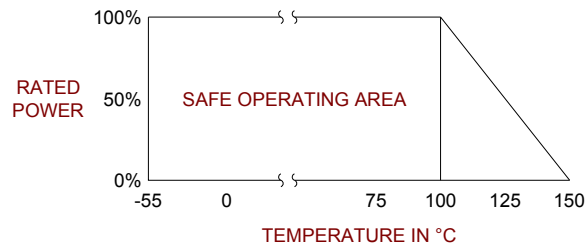
PART SERIES: 32-7024

SHEET 2 OF 2  
Dwg 32-7024

EN 13-3518  
Revision-

## 6.0 MECHANICAL

Substrate Material:	Aluminum Nitride
Resistive Film:	Nichrome
Cover Material:	Alumina
Tab Material:	Beryllium Copper
Tab Finish:	Tin/Lead
Flange Material:	Copper
Flange Finish:	Nickel
Metric Dimensions:	Provided for reference only



Unless Otherwise Specified: TOLERANCE: X.XX = ± 0.XX X.XXX = ± 0.XXX