

ATTENUATOR CHIP 1 WATT



DATA SHEET

PART SERIES: TS05XXF

SHEET 1 OF 2
Dwg 1011125

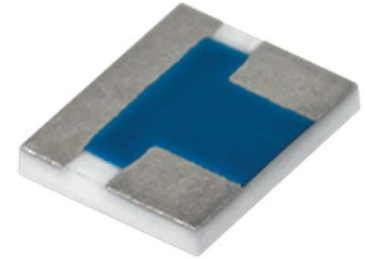
EN 16-0685
Revision C

FEATURES

- Small Footprint
- High Power
- Surface Mount
- Low VSWR
- Easy Installation
- Wide Attenuation Offering

APPLICATIONS

- Mobile Networks
- Broadcast
- High Power Amplifiers
- Isolators/Circulators
- Military
- Instrumentation



GENERAL DESCRIPTION

EMC Technology offers the widest selection of chip attenuators worldwide. Chip components are offered in Alumina, Aluminum Nitride, Beryllium Oxide, and CVD diamond for maximum performance.

ORDERING INFORMATION

Part Identifier: TS05XXF
(XX) – dB Value

SPECIFICATIONS

1.0 ELECTRICAL

Nominal Impedance: 50 ohms
 Frequency Range: DC – 18 GHz
 Attenuation Values Available: 0 – 20 in 1 dB increments
 Attenuation Accuracy:

ATTENUATION ACCURACY			
dB	DC – 4 GHz	4 – 8 GHz	8 – 12.4 GHz
0	-0,+ .3	-0,+5	-0,+5
1 – 3	±0.3	±0.5	±0.5
4 – 6	±0.4	±0.5	±0.75
7 – 10	±0.5	±0.5	±1.0
11 – 15	±0.75	+0.5,-3.0	---
16 - 20	±1.0	+0.5,-4.0	---

Input Power CW: 100 Milliwatts CW full rated power to 125°C, derated linearly to 0 watts at 150°C.
 Peak Power: 1 watt for 10us pulse width @ 1% duty cycle.
 VSWR: DC – 4 GHz - 1.25 Max
 4 – 8 GHz - 1.35 Max
 8 – 18 GHz - 1.50 Max

2.0 ENVIRONMENTAL

Operating Temperature: -55°C to +150°C
 Non-operating Temperature: -65°C to +150°C
 Temperature Coefficient: +/-200 PPM / °C max
 Altitude Non-Operating: Sea level to 50,000 feet.
 Altitude Operating: Sea level to 50,000 feet.
 Vibration: Per MIL-STD-202, METHOD 204, COND. D.
 Shock: Per MIL-STD-202, METHOD 213, COND. I
 Moisture Resistance: Per MIL-STD-202, METHOD 106 except subcycle steps 7a and 7b and polarization and load are not applicable.

ATTENUATOR CHIP 1 WATT



DATA SHEET

PART SERIES: TS05XXF

SHEET 2 OF 2
Dwg 1011125

EN 16-0685
Revision C

3.0 MARKING

Unit Marking: Marked with dB value

4.0 QUALITY ASSURANCE

Sample inspect per ansi/asqc z1.4 general inspection, level II, aql = 1.0.

Visual and mechanical examination for conformance to outline dwg requirements.

Perform inspection in accordance with 824W170 and 824F036 for commercial grade product.

Test data requirements:

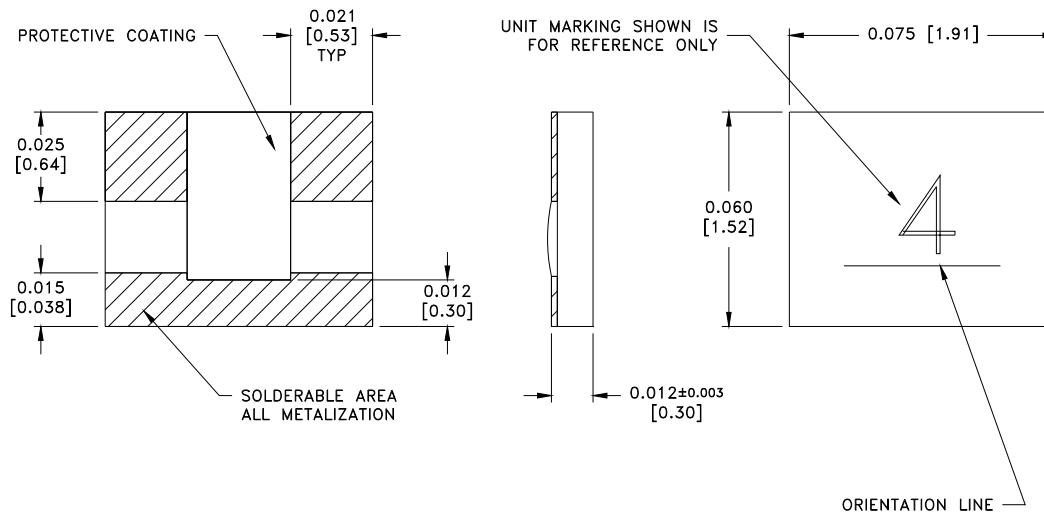
No test data required for customer.

Data retention – 24 months packaging

Standard Packaging: Tape and Reel

5.0 MECHANICAL

Resistive Film: Thin Film, Tantalum Nitride
Terminal Material: Thick Film, Lead free plating, RoHS compliant
Metric Dimensions: Provided for reference only
Workmanship: PER MIL-PRF-55342



Unless Otherwise Specified: TOLERANCE: X.XXX = ± 0.005