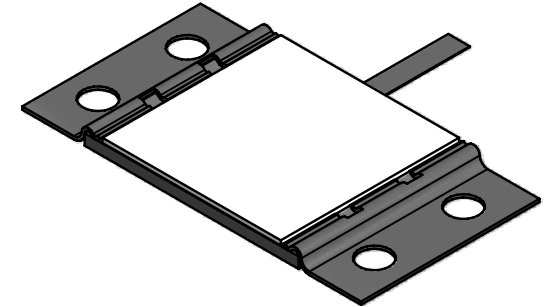
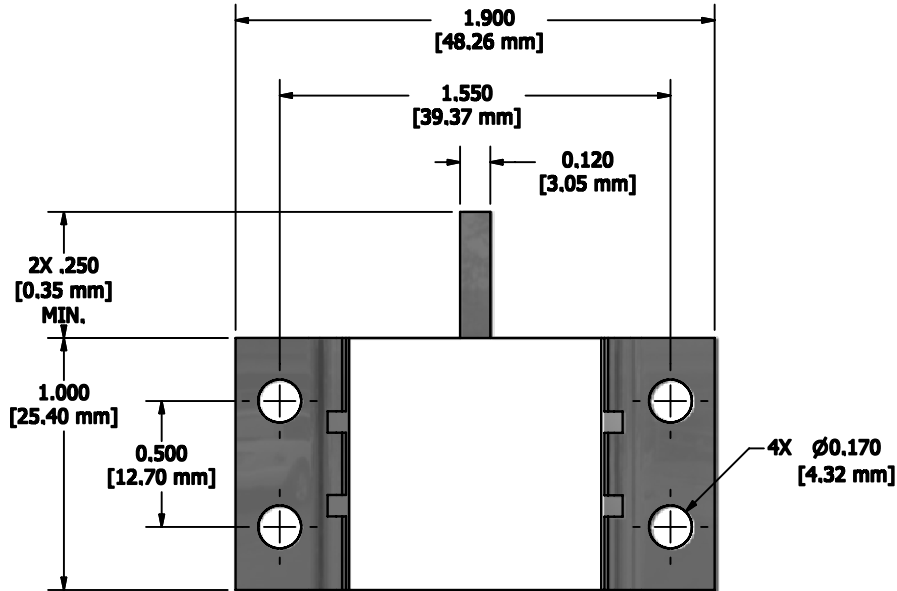


EDD

**NOTES:**

1. UNLESS OTHERWISE SPECIFIED, TOLERANCES ARE +/- .010 [.254mm]
2. 1000 WATT POWER RATING ONLY APPLIES WHEN INSTALLED USING MANUFACTURER SUPPLIED MOUNTING CLIPS AND THERMAL COMPOUND.



**MATERIALS:**

CLIPS: BERYLLIUM COPPER PER ASTM B194  
 SUBSTRATE: BERYLLIUM OXIDE  
 COVER: ALUMINA

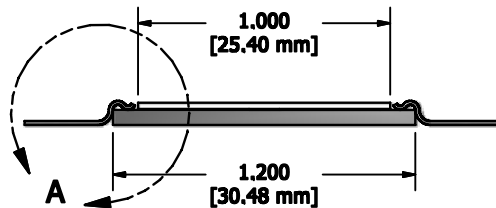
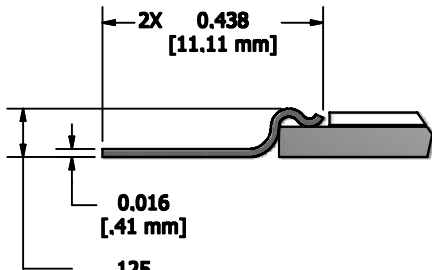
TAB: BERYLLIUM COPPER PER ASTM B194  
 RESISTIVE FILM: THIN FILM

**FINISH:**

RoHS COMPLIANT  
 CLIPS: SILVER PLATED  
 TAB: SILVER PLATED

**ELECTRICAL:**

NOMINAL IMPEDANCE: 50 OHMS  
 FREQUENCY RANGE: DC - 900 MHz  
 VSWR: 1.20:1 DC - 900 MHz  
 AVERAGE POWER: 1000 WATTS \*SEE NOTE 2\*  
 DC RESISTANCE: 50 OHMS +/- 5%  
 TEMPERATURE COEFFICIENT: +/- 200PPM  
 OPERATING TEMPERATURE: -55°C TO +150°C



MAX. **DETAIL A**  
**SCALE 4 : 1**

1	09/21 2009	EN 09-F0974
REV	DATE	CHANGE DESCRIPTION
		REVISION

THESE DRAWINGS AND SPECIFICATIONS ARE THE PROPERTY OF EMC TECHNOLOGY AND FLORIDA RF LABS AND SHALL NOT BE DUPLICATED OR USED AS BASIS FOR THE MANUFACTURE OR SALE OF PARTS OR DEVICES WITHOUT PERMISSION.

**EMC Technology**  
**RF Labs**  
 8851 SW OLD KANSAS AVE  
 STUART, FL 34997  
 PHONE NO. (772)286-9300  
 FAX NO. (772)283-5286

UNLESS OTHERWISE SPECIFIED DIMENSIONS ARE IN INCHES  
 TOLERANCES  
 FRACT ±1/16  
 ANG ±5°  
 XX ±0.01  
 XXX ±0.010  
 XXXX ±0.0005

TITLE <b>TERMINATION, HIGH POWER, 1000 WATT</b>	
CAGE CODE 24602	ASSY REF
DRAWN BY PSC	CHECKED BY - APPROVED BY
DRAWING NUMBER 32A5001*F	SHEET 1 OF 1

VENDOR CODE

PLOT SCALE  
1:1