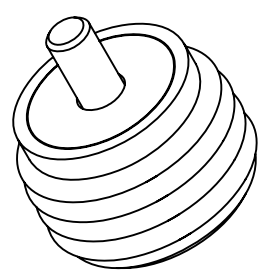
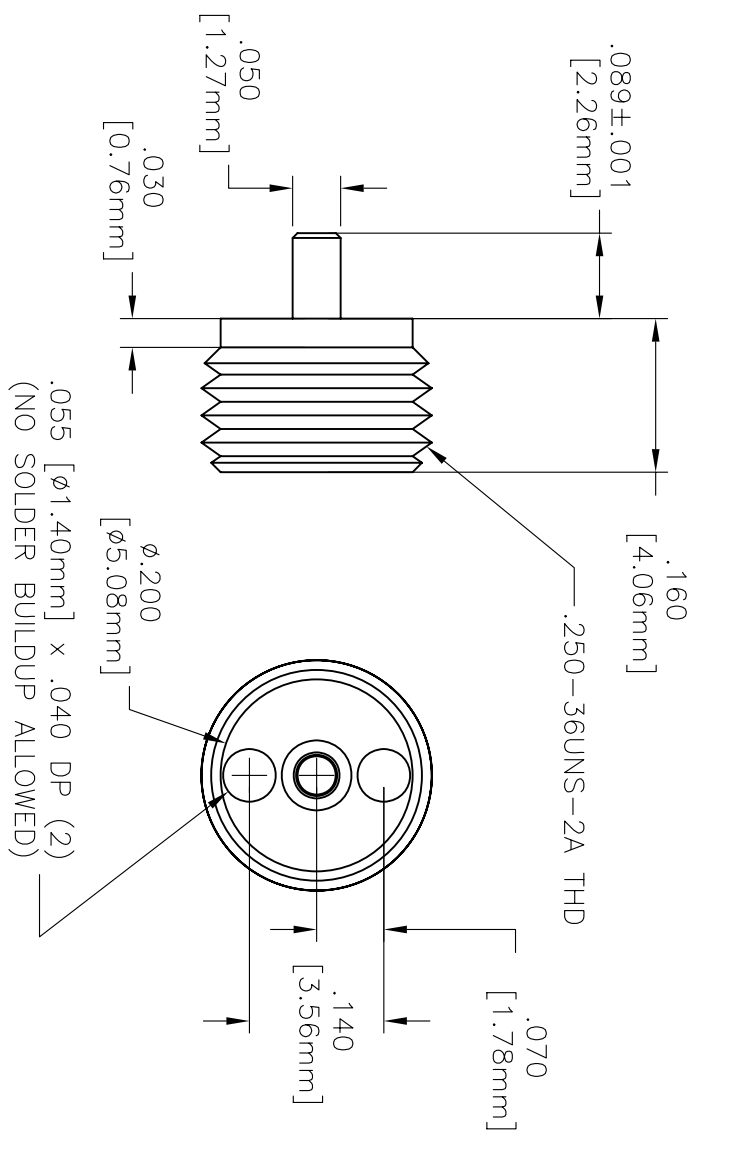


# EDD

DRAWING NO.:  
**42-3014**

REV.  
**B**

NOTES:  
UNLESS OTHERWISE SPECIFIED, TOLERANCES ARE ± .010" [ .254mm].



**MATERIAL:**  
 BODY: BeCu PER ASTM B196  
 CONTACT: BeCu PER QQ-C-530  
 INSULATOR: TEFLON PER MIL-P-19468  
 RESISTOR: THIN FILM

**FINISH:**  
 BODY: NICKEL PER QQ-N-290  
 CONTACT: GOLD PER MIL-G-45204

**ELECTRICAL:**  
 DC RESISTANCE: 50 ± 5% OHMS  
 FREQUENCY: DC-18.0 GHZ  
 VSWR: 1.30:1  
 AVERAGE POWER: 5 WATTS  
 OPERATING TEMPERATURE: -55° TO +150° C.

REV.	DESCRIPTION	DRAWN	APVD.	EN# 04-F0164	APVD	DATE	REFERENCE	SCALE	CAGE CODE	ID NO.	SIZE	DRAWING NO.:	REV.			
B	08-F0754	OJC 08/15/08		UNLESS OTHERWISE SPECIFIED 1. DO NOT SCALE DRAWING 2. DIMENSIONS ARE IN INCHES 3. DIMENSIONS ARE AFTER PLATING 4. CORNERS, EDGES AND FILLETS: R 5. SURFACE ROUGHNESS: 6. REMOVE ALL BURRS TOLERANCES .XX ± .XXX ± ANGLES X° ±			-	5/1	2Y194		A	42-3014	B			
				THE INFORMATION CONTAINED HEREIN IS: (A) CONSIDERED PROPRIETARY TO FLORIDA RF LABS INC.; (B) PROTECTED BY COPYRIGHT OWNED BY FLORIDA RF LABS INC.; (C) CONSIDERED A WORK FOR HIRE UNDER COPYRIGHT LAW; (D) PROTECTED BY TRADE SECRET LAWS WHICH MAKE LEGAL THE MISAPPROPRIATION OF THIS INFORMATION; AND (E) IS TO BE USED SOLELY FOR THE PURPOSES INDICATED IN THE SUPPLEMENTAL ORDER. NO PART OF THIS INFORMATION IS TO BE REPRODUCED OR TRANSMITTED IN ANY FORM OR BY ANY MEANS, ELECTRONIC OR MECHANICAL, INCLUDING PHOTOCOPYING, RECORDING, OR BY ANY INFORMATION STORAGE AND RETRIEVAL SYSTEM, WITHOUT THE EXPRESS WRITTEN CONSENT OF A QUALIFIED EXECUTIVE OF FLORIDA RF LABS INC.			MATERIAL		MFG:		CHKD.:		DRAWN: AWM 05/04/04		SHEET OF	
				TITLE <b>TERMINATION,                  THREADED                  5 WATT</b>			FINISH -		MFG: -		CHKD.: -		DRAWN: AWM 05/04/04		SHEET OF	
				MATERIAL -			SCALE 5/1		CAGE CODE 2Y194		ID NO. -		DRAWING NO.: 42-3014		REV. B	
				REFERENCE -			MFG: -		CAGE CODE 2Y194		ID NO. -		DRAWING NO.: 42-3014		REV. B	
				EN# 04-F0164			REFERENCE -		SCALE 5/1		CAGE CODE 2Y194		DRAWING NO.: 42-3014		REV. B	

8851 OLD KANSAS AVE.  
 STUART, FL. 34997  
 772-286-9300