



**TITLE: SPECIFICATION CONTROL DRAWING**

**PART IDENTIFIER:** SMT1206TALNF

**DESCRIPTION:** SURFACE MOUNT TERMINATION, ALUMINUM NITRIDE ROHS COMPLIANT

**ASSEMBLY DWG:** 2402754

**1.0 SPECIFICATIONS:**

- 1.1 ELECTRICAL:
  - 1.1.1 IMPEDANCE: 50Ω NOMINAL.
  - 1.1.2 FREQUENCY: DC - 4 GHZ.
  - 1.1.3 VSWR (MAX): DC-2.5 GHZ 1.30:1  
2.5-4.0 GHZ 1.50:1
  - 1.1.4 INPUT POWER:
    - 1.1.4.1 HEAT SINK 100°C: 10 WATTS. (DERATE POWER LINEARLY TO 0 WATTS @ 125°C).
- 1.2 MECHANICAL:
  - 1.2.1 OUTLINE DWG: SEE SHEET 2.
- 1.3 ENVIRONMENTAL:
  - 1.3.1 TEMPERATURE RANGE:
    - 1.3.1.1 NON-OPERATING: -55°C TO +150°C.
    - 1.3.1.2 OPERATING: -55°C TO +125°C.

**2.0 UNIT MARKING:** NONE.

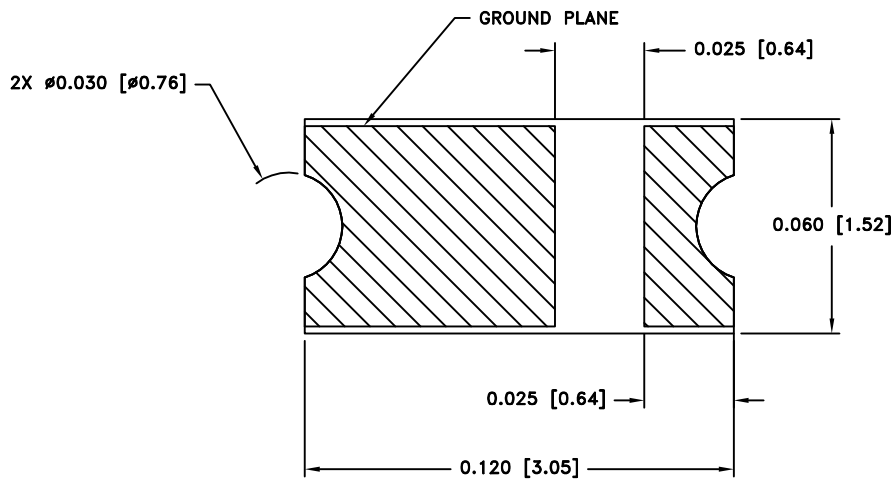
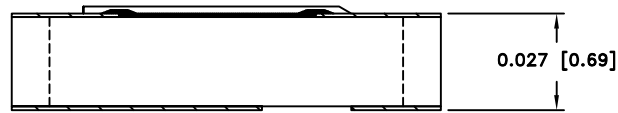
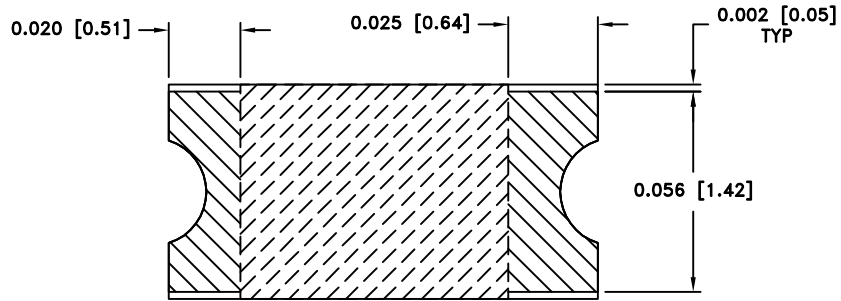
**3.0 QUALITY ASSURANCE:**

- 3.1 SAMPLE INSPECT PER ANSI/ASQC Z1.4 GENERAL INSPECTION, LEVEL II, AQL = 1.0.
  - 3.1.1 VISUAL AND MECHANICAL PER 824W154.
- 3.2 DC RESISTANCE: 50Ω ± 5%.
- 3.3 DATA REQUIREMENTS:
  - 3.3.1 NO TEST DATA REQUIRED FOR CUSTOMER.
  - 3.3.2 DATA RETENTION - STANDARD.

**4.0 PACKAGING:** STANDARD BULK PACK PER 755W002.  
ROHS COMPLIANT

<b>EMC TECHNOLOGY</b> 8851 SW OLD KANSAS AVE STUART, FL 34997	<b>CAGE CODE # 24602</b>		<b>DWG #</b>	1011955000
	<b>CHANGE NOTICE</b>	EN 13-1280	<b>REV LVL</b>	A
			<b>SHEET</b>	1 <u>OF</u> 2

PART ID REF
SMT1206TALNF



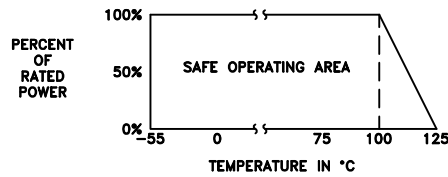
**MECHANICAL SPECIFICATIONS:**

SUBSTRATE:  
 MATERIAL - ALUMINUM NITRIDE, MIL-I-10.  
 TERMINALS & GROUND PLANE:  
 MATERIAL - THICK FILM, SILVER PLATED.

RESISTIVE ELEMENT:  
 MATERIAL - THICK FILM.

METRIC EQUIVALENTS GIVEN IN [mm]  
 FOR REFERENCE INFORMATION ONLY

**POWER RATING AND DERATING**



 8851 SW OLD KANSAS AVE STUART, FL 34997 PHONE NO. (772)286-9300 FAX NO. (772)283-5286	UNLESS OTHERWISE SPECIFIED DIMENSIONS ARE IN INCHES <b>TOLERANCES</b> FRACT --- --- ANG --- --- XX --- --- XXX ±0.005 XXXX --- ---	THESE DRAWINGS AND SPECIFICATIONS ARE THE PROPERTY OF EMC TECHNOLOGY INC AND SHALL NOT BE DUPLICATED OR USED AS BASIS FOR THE MANUFACTURE OR SALE OF PARTS OR DEVICES WITHOUT PERMISSION.				
	<b>CAGE CODE</b> 24602	<b>SCALE</b> N/A	<b>DRAWN BY</b> JG 4/21/09	<b>CHECKED BY</b>	<b>APPROVED BY</b>	
	<b>REV</b> A	<b>CHANGE NOTICE</b> EN 13-1280	<b>DRAWING NO</b> 1011955000	<b>SHEET</b> 2 OF 2		