

TITLE: SPECIFICATION CONTROL DRAWING

PART IDENTIFIER: SMT1206ALN

DESCRIPTION: SURFACE MOUNT TERMINATION, ALUMINUM NITRIDE

ASSEMBLY DWG: 1101644

1.0 SPECIFICATIONS:

- 1.1 ELECTRICAL:
 - 1.1.1 IMPEDANCE: 50Ω NOMINAL.
 - 1.1.2 FREQUENCY: DC – 2.5 GHZ.
 - 1.1.3 VSWR: 1.25:1 MAX.
 - 1.1.4 INPUT POWER:
 - 1.1.4.1 HEAT SINK 100°C: 10 WATTS. (DERATE POWER LINEARLY TO 0 WATTS @ 125°C).
- 1.2 MECHANICAL:
 - 1.2.1 OUTLINE DWG: SEE SHEET 2.
- 1.3 ENVIRONMENTAL:
 - 1.3.1 TEMPERATURE RANGE:
 - 1.3.1.1 NON-OPERATING: -55°C TO +150°C.
 - 1.3.1.2 OPERATING: -55°C TO +125°C.

2.0 UNIT MARKING: NONE.

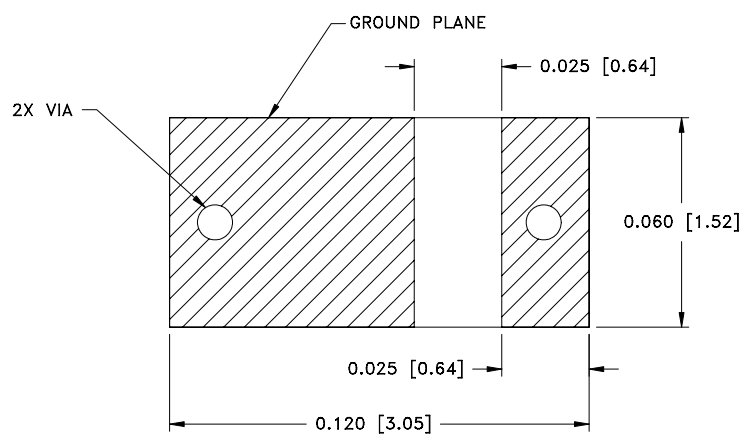
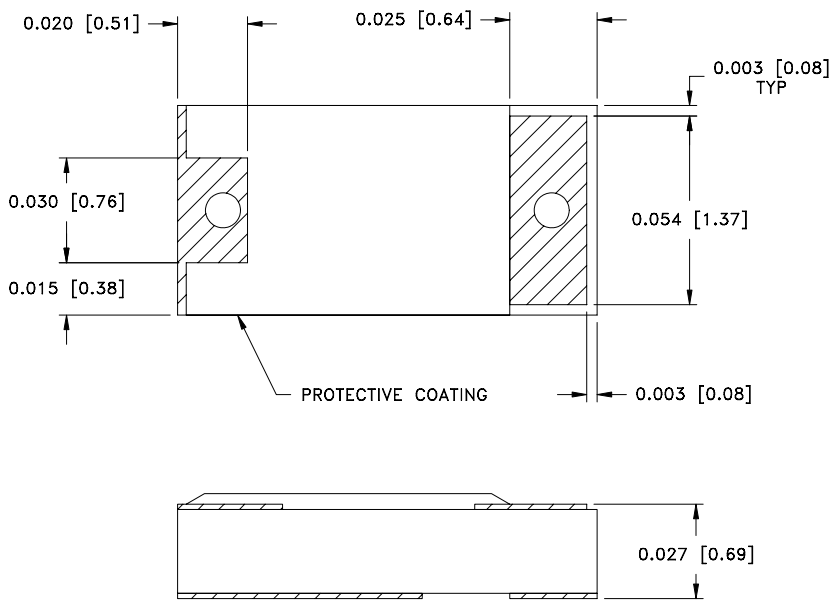
3.0 QUALITY ASSURANCE:

- 3.1 SAMPLE INSPECT PER ANSI/ASQC Z1.4 GENERAL INSPECTION, LEVEL II, AQL = 1.0.
 - 3.1.1 VISUAL AND MECHANICAL PER 824W154.
- 3.2 DC RESISTANCE: 50Ω ± 5%.
- 3.3 DATA REQUIREMENTS:
 - 3.3.1 NO TEST DATA REQUIRED FOR CUSTOMER.
 - 3.3.2 DATA RETENTION - STANDARD.

4.0 PACKAGING: STANDARD BULK PACK PER 755W002.

EMC TECHNOLOGY 8851 SW OLD KANSAS AVE STUART, FL 34997	CAGE CODE # 24602		DWG #	1009695000
	CHANGE NOTICE	EN 08-E0399	REV LVL	C
			SHEET	1 <u>OF</u> 2

PART ID REF
SMT1206ALN



MECHANICAL SPECIFICATIONS:

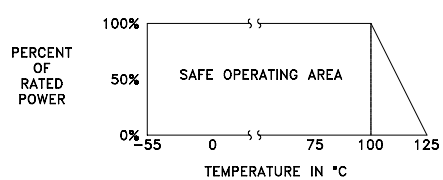
SUBSTRATE:
MATERIAL - ALUMINUM NITRIDE, MIL-I-10.

TERMINALS & GROUND PLANE:
MATERIAL - THICK FILM, NICKEL BARRIER,
SOLDER PLATED.

RESISTIVE ELEMENT:
MATERIAL - THICK FILM.

METRIC EQUIVALENTS GIVEN IN [mm]
FOR REFERENCE INFORMATION ONLY

POWER RATING AND DERATING



8851 SW OLD KANSAS AVE
STUART, FL 34997
PHONE NO. (772)286-9300
FAX NO. (772)283-5286

UNLESS OTHERWISE SPECIFIED DIMENSIONS ARE IN INCHES

TOLERANCES

FRACT --- --
ANG --- --
XX --- --
XXX ±0.005
XXXX --- --

THESE DRAWINGS AND SPECIFICATIONS ARE THE PROPERTY OF EMC TECHNOLOGY INC AND SHALL NOT BE DUPLICATED OR USED AS BASIS FOR THE MANUFACTURE OR SALE OF PARTS OR DEVICES WITHOUT PERMISSION.

CAGE CODE 24602	SCALE 30:1	DRAWN BY JG 5/27/08	CHECKED BY	APPROVED BY
REV C	CHANGE NOTICE EN 08-E0399	DRAWING NO 1009695000	SHEET 2 OF 2	