

TITLE: SPECIFICATION CONTROL DRAWING

PART IDENTIFIER: SMT2525S

DESCRIPTION: SURFACE MOUNT TERMINATION, BERYLLIA

ASSEMBLY DWG: 1101904

1.0 SPECIFICATIONS:

1.1 ELECTRICAL:

- 1.1.1 IMPEDANCE: 50Ω NOMINAL.
- 1.1.2 FREQUENCY: DC - 2 GHZ.
- 1.1.3 VSWR: 1.25:1 MAX.
- 1.1.4 INPUT POWER:
 - 1.1.4.1 75 WATTS. CHIP SOLDERED TO MOUNTING SURFACE. MOUNTING SURFACE TEMPERATURE MAINTAINED AT 100 °C MAXIMUM. APPLY LINEAR DE-RATING OF INPUT POWER TO 0 WATTS AT 150 °C.

1.2 MECHANICAL:

- 1.2.1 OUTLINE DWG: SEE SHEET 2.
- 1.2.2 WORKMANSHIP: PER MIL-PRF-55342
- 1.2.3 THERMAL IMPEDANCE (R_θ)
 - 1.2.3.1 0.667 °C / WATT R_θ FROM RESIST FILM TO MOUNTING SURFACE DIRECTLY UNDER CENTER OF CHIP. CHIP SOLDERED DIRECTLY TO MOUNTING SURFACE.
- 1.2.4 FILM TEMPERATURE (T_F)
 - 1.2.4.1 200 °C ABSOLUTE MAXIMUM FILM TEMPERATURE. DE-RATE TO 150 °C MAXIMUM FILM TEMPERATURE FOR ALL MILITARY/HIGH-RELIABILITY APPLICATIONS.
- 1.2.5 THERMAL
 - 1.2.5.1 DETERMINE MAXIMUM MOUNTING SURFACE TEMPERATURE BY APPLYING THE FOLLOWING FORMULA:
 $T_s = T_f - (P_{MAX} \times R_{\theta})$

WHERE: T_S = MAXIMUM MOUNTING SURFACE TEMPERATURE
 T_F = MAXIMUM FILM TEMPERATURE
 P_{MAX} = MAXIMUM APPLIED INPUT POWER
 R_θ = CHIP THERMAL IMPEDANCE.

1.3 ENVIRONMENTAL:

- 1.3.1 TEMPERATURE RANGE:
 - 1.3.1.1 NON-OPERATING: -55 °C TO +150 °C.
 - 1.3.1.2 OPERATING: -55 °C TO +150 °C.

2.0 UNIT MARKING: NONE.

3.0 QUALITY ASSURANCE:

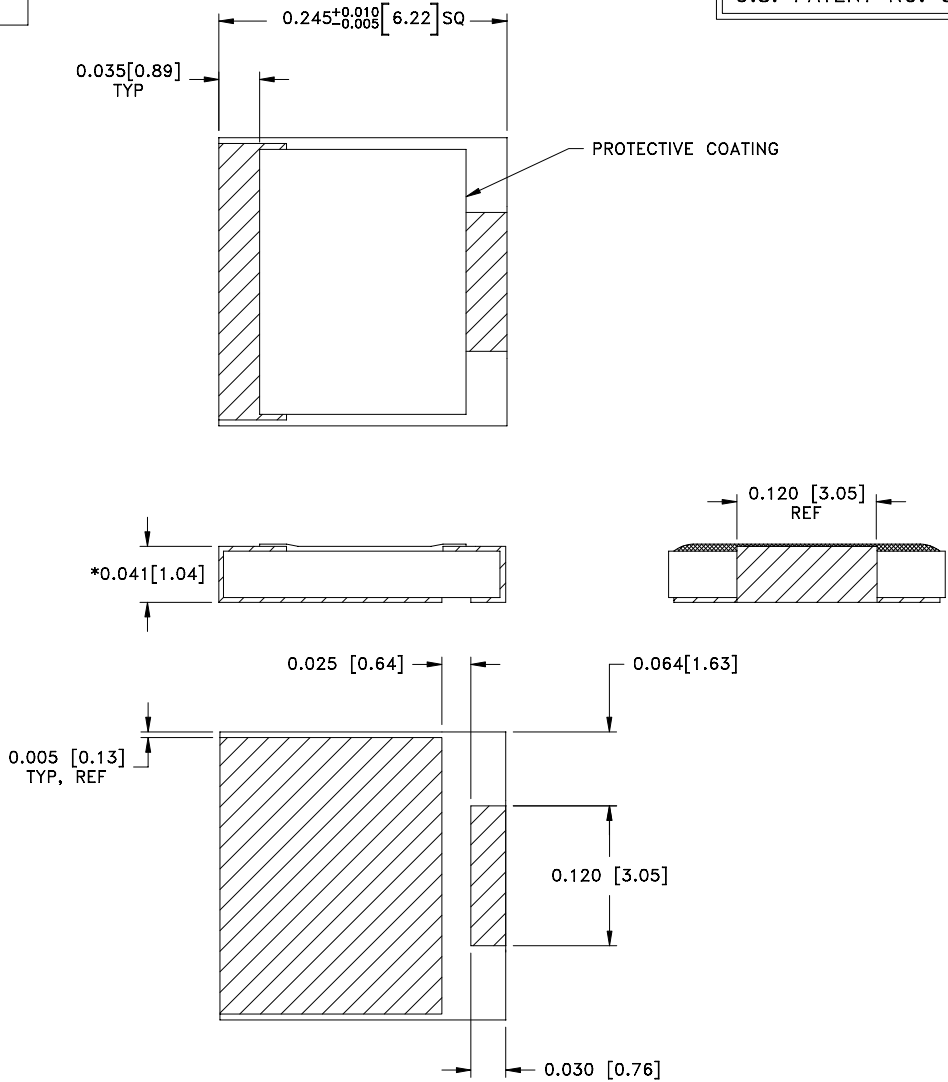
- 3.1 SAMPLE INSPECT PER ANSI/ASQC Z1.4 GENERAL INSPECTION, LEVEL II, AQL = 1.0.
 - 3.1.1 VISUAL AND MECHANICAL PER 824W154.
 - 3.1.2 DC RESISTANCE: 50Ω ± 5%.
- 3.2 DATA REQUIREMENTS:
 - 3.2.1 NO TEST DATA REQUIRED FOR CUSTOMER.
 - 3.2.2 DATA RETENTION – 24 MONTHS.

4.0 PACKAGING: STANDARD PACKING PER755W002.

EMC TECHNOLOGY 8851 SW OLD KANSAS AVE. STUART, FL 34997	CAGE CODE # 24602		DWG #	1010435000
	CHANGE NOTICE	EN 08-E0615	REV LVL	A
			SHEET	1 OF 2

PART ID REF
SMT2525S

U.S. PATENT NO. 5739743

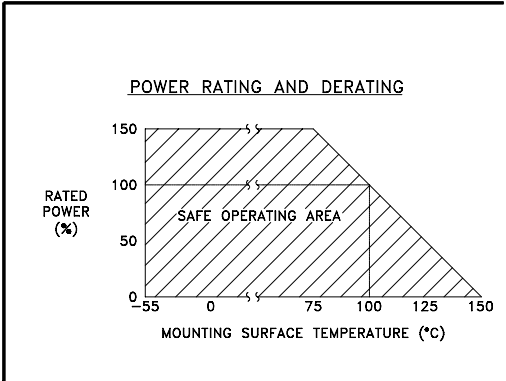


MECHANICAL SPECIFICATIONS

SUBSTRATE:
MATERIAL - BERYLLIA, ASTM F356.
TERMINAL :
MATERIAL - THICK FILM, NICKEL BARRIER,
SOLDER COATED.
RESIST:
MATERIAL - THICK FILM.

* DIMENSIONS APPLY BEFORE SOLDER. ALLOW
0.015 MAX FOR ALL PRETINNED SURFACES.

METRIC EQUIVALENTS GIVEN IN [mm]
ARE FOR REFERENCE INFORMATION ONLY



EMC
Technology
8851 SW OLD KANSAS AVE
STUART, FL 34997
PHONE NO. (772) 286-9300
FAX NO. (772) 283-5286

UNLESS OTHERWISE
SPECIFIED DIMENSIONS
ARE IN INCHES
TOLERANCES
FRACT ---
ANG ---
XX ---
XXX ±0.005
XXXX ---

THESE DRAWINGS AND SPECIFICATIONS ARE THE PROPERTY OF EMC TECHNOLOGY INC AND SHALL NOT BE DUPLICATED OR USED AS BASIS FOR THE MANUFACTURE OR SALE OF PARTS OR DEVICES WITHOUT PERMISSION.

CAGE CODE 24602	SCALE 10:1	DRAWN BY JG 8/1/08	CHECKED BY	APPROVED BY
REV A	CHANGE NOTICE EN 08-E0615	DRAWING NO 1010435000	SHEET 2 OF 2	