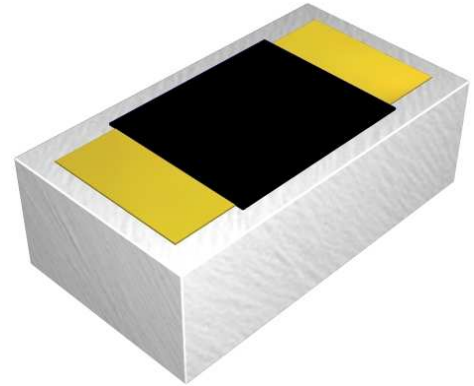


FEATURES

- Surface Mount
- 0402 Footprint
- Wideband Performance

APPLICATIONS

- Mobile Networks
- Portable RF Devices
- ZigBee Network Devices
- Instrumentation
- Wireless Mesh Network
- Low Noise Amplifiers



GENERAL DESCRIPTION

EMC Technology has been the leading authority in fixed attenuators for more than 20 years. The TS11 series is the smallest attenuator to date and an excellent choice for applications where size must be kept to a minimum. These surface-mount attenuators are packaged in tape and reel and ready for automated assembly.

SPECIFICATIONS

1.0 ELECTRICAL

Impedance	50 Ω
Frequency	DC - 6 GHz
Power Rating	0.1 Watts
Operating Temperature	-55 $^{\circ}$ C To +150 $^{\circ}$ C
VSWR	1.40:1 Max. for 0 & 1 dB 2.00:1 Max. for 2 & 3
Attenuation Accuracy	\pm 0.30 dB
Available Values	0.0, 1.0, 2.0, & 3.0 dB

2.0 MECHANICAL

Substrate	Alumina
Conductor	Thick Film Pt-Au
Resistive Element	Thick Film

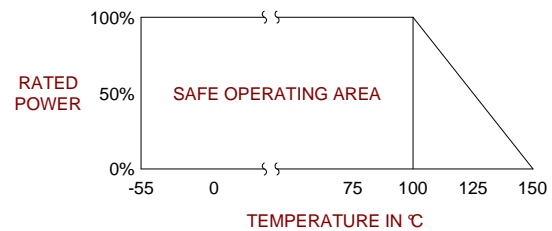
4.0 PACKAGING

Standard:	Tape and Reel
-----------	---------------

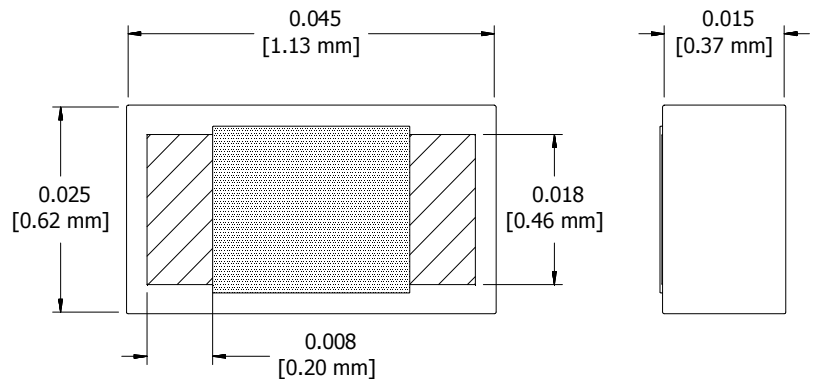
5.0 PART NUMBERING

Part Identifier:	TS11XXF XX- dB Value
------------------	-------------------------

POWER RATING AND DERATING



MECHANICAL OUTLINE



* Specifications are subject to change without notice.

Unless Otherwise Specified: TOLERANCE: .XXX \pm .005