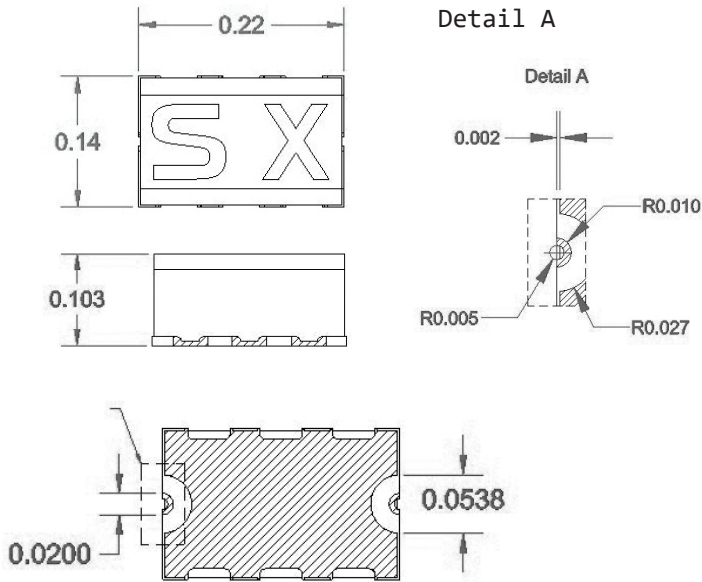


X-Band Planar X Filter

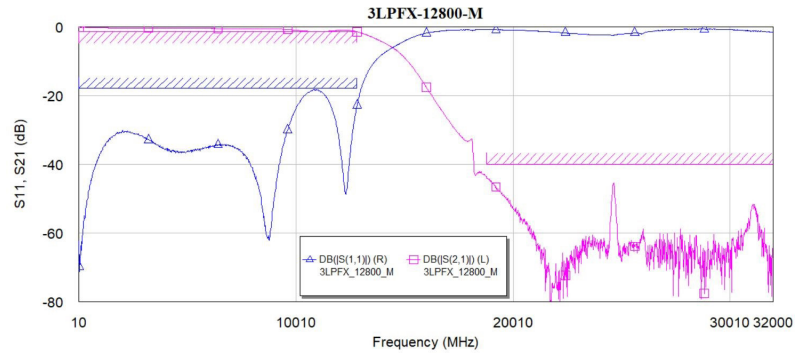
Part Number: 3LPFX-12800-M

Mechanical Outline



Dimensions: Units = inches

Typical Performance Curve



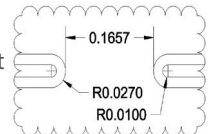
Important: Performance of hardware may deviate from the response shown above. However, the filter will comply with the specifications shown on the specification sheet.

Product Configuration

Part Number	3LPFX-12800-M
Series	Planar X Filter Series
Cutoff Frequency	12800 MHz
Insertion Loss	-1.5 dB max. over Passband
Stopband Attenuation	40 dBc min. from 18800 to 31200 MHz
Return Loss	15 dB typical
Temperature Range	-55 to 100 deg. C
Relative Humidity	95% NC

Recommended PCB Layout

- 50 Ohm trace dimensions are next higher assembly specific
- Proper grounding of next higher assembly required



Americas

Sales
focom.uscsr@smithsinterconnect.com

Technical support
focom.techsupport@smithsinterconnect.com

Europe

Sales
focom.emeacsr@smithsinterconnect.com

Technical support
focom.techsupport@smithsinterconnect.com

Asia

Sales
focom.asiacsr@smithsinterconnect.com

Technical support
focom.techsupport@smithsinterconnect.com