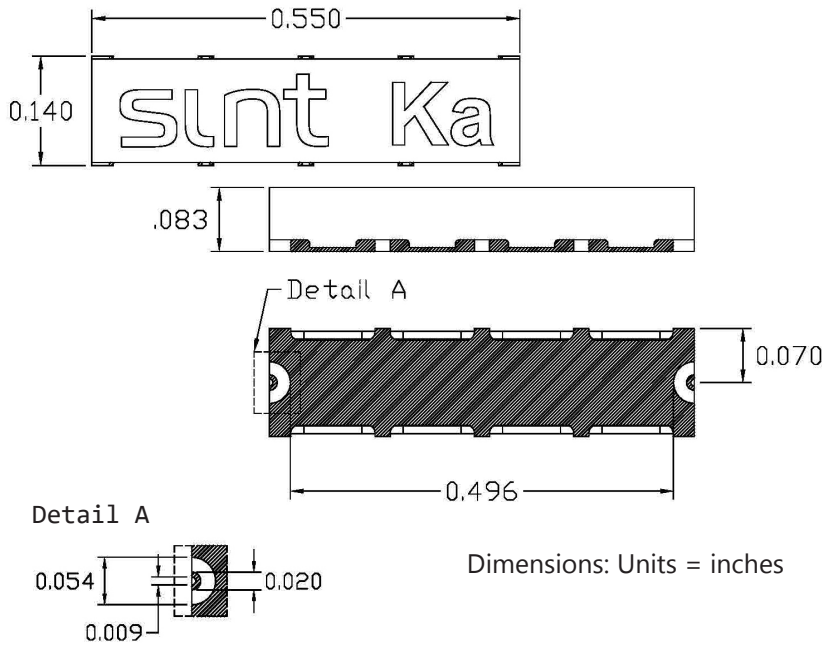


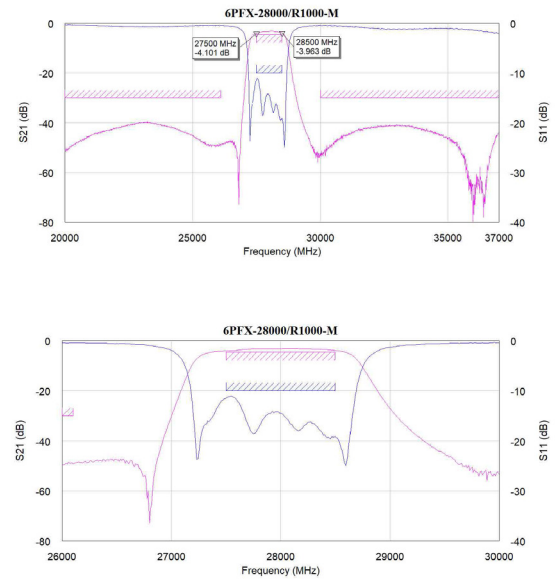
# Ka-Band Planar X Filter

Part Number: 6PFX-28000/R1000-M

## Mechanics Outlines



## Typical Performance Curve



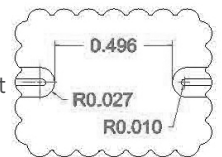
**Important:** Performance of hardware may deviate from the response shown above. However, the filter will comply with the specifications shown on the specification sheet.

## Product Configuration

Part Number	6PFX-28000/R1000-M
Series	Planar X Filter Series
Center Frequency	28000 MHz
Equi-ripple Passband Bandwidth	1000 MHz min
Insertion Loss	4.5 dB max. over Passband
Stopband Attenuation	-30 dBc min. from DC to 26100 MHz -30 dBc min. from 30000 to 37000 MHz
Return Loss	10 dB typical
Temperature Range	-55 to 85 deg. C
Relative Humidity	95%

## Recommended PCB Layout

- 50 Ohm trace dimensions are next higher assembly specific
- Proper grounding of next higher assembly required



### Americas

Sales  
focom.uscsr@smithsinterconnect.com

Technical support  
focom.techsupport@smithsinterconnect.com

### Europe

Sales  
focom.emeacsr@smithsinterconnect.com

Technical support  
focom.techsupport@smithsinterconnect.com

### Asia

Sales  
focom.asiacsr@smithsinterconnect.com

Technical support  
focom.techsupport@smithsinterconnect.com

more > [smithsinterconnect.com](https://www.smithsinterconnect.com) | [in](#) [t](#) [v](#)