

EDD

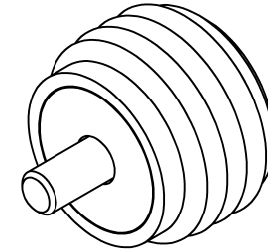
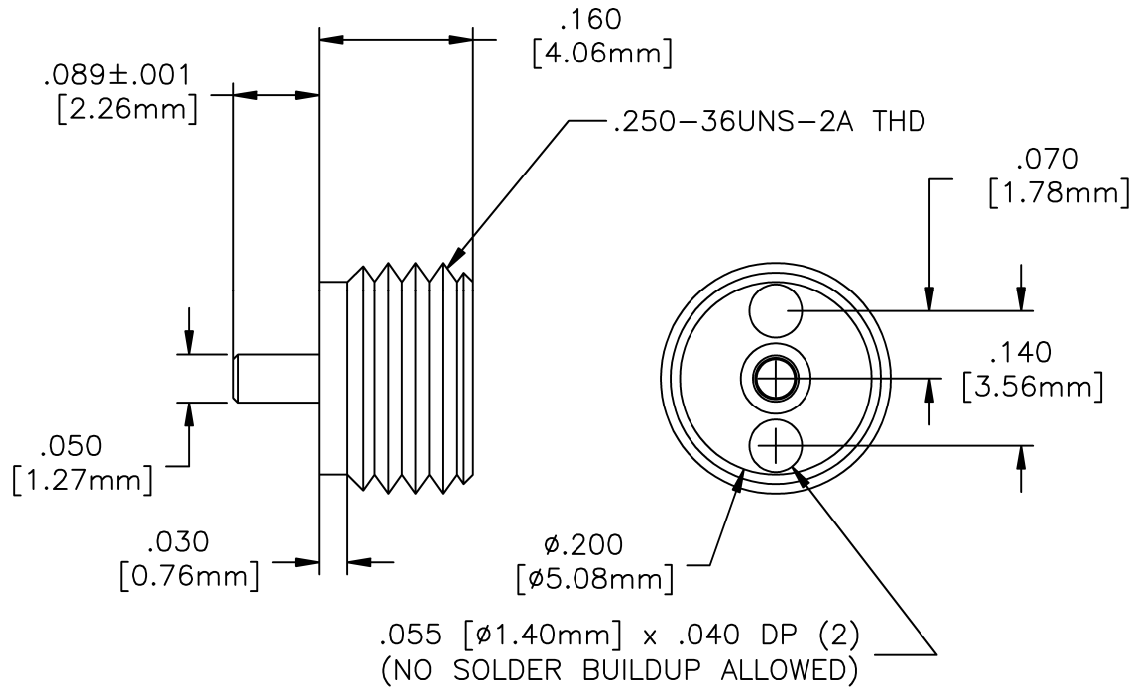
DRAWING NO.:

42-3010

REV.

H

NOTES:
UNLESS OTHERWISE SPECIFIED, TOLERANCES ARE $\pm .010$ " [0.254mm].


MATERIALS:


BODY: BERYLLIUM COPPER PER QQ-C-530
 SUBSTRATE: ALUMINA
 INSULATOR: TEFLON PER MIL-P-19468
 CONTACT: BERYLLIUM COPPER PER QQ-C-530
 RESISTIVE FILM: NICHROME

FINISH:

BODY: NICKEL PER QQ-N-290
 CONTACT: GOLD OVER NICKEL

TECHNICAL: (TERMINATION)

NOMINAL IMPEDANCE (OHMS): 50
 FREQUENCY RANGE (GHz): DC 18.0 GHz
 TEMPERATURE COEFFICIENT: ± 200 PPM MAX
 OPERATING TEMPERATURE ($^{\circ}$ C): -55° TO $+150^{\circ}$
 VSWR (MAX): 1.30:1
 AVERAGE POWER (WATTS): 2
 DC RESISTANCE: $50 \pm 5\%$

				ECN# 01574	APVD	DATE	REFERENCE	 8851 OLD KANSAS AVE. STUART, FL. 34997 772-286-9300			
				UNLESS OTHERWISE SPECIFIED 1. DO NOT SCALE DRAWING 2. DIMENSIONS ARE IN INCHES 3. DIMENSIONS ARE AFTER PLATING 4. CORNERS, EDGES AND FILLETS: R MAX 5. SURFACE ROUGHNESS: 6. REMOVE ALL BURRS			MATERIAL		TITLE		
				TOLERANCES .X \pm .XX \pm .XXX \pm ANGLES X \pm			FINISH		TERMINATION, THREADED 2 WATT		
H	09-F0709	CRH 07/20/09		THE INFORMATION CONTAINED HEREIN IS: (A) CONSIDERED PROPRIETARY TO FLORIDA RF LABS INC.; (B) PROTECTED BY COPYRIGHT OWNED BY FLORIDA RF LABS INC.; (C) CONSIDERED A "WORK FOR HIRE" UNDER COPYRIGHT LAW; (D) PROTECTED BY TRADE SECRET LAWS WHICH MAKE ILLEGAL THE MISAPPROPRIATION OF THIS INFORMATION; AND (E) IS TO BE USED SOLELY FOR THE PURPOSE WHICH IT IS SUPPLIED. THIS INFORMATION SHALL NOT BE DISCLOSED IN WHOLE OR IN PART, TO ANY PARTY, FOR ANY REASON WITHOUT THE EXPRESS WRITTEN CONSENT OF A QUALIFIED EXECUTIVE OF FLORIDA RF LABS INC.			SCALE	CAGE CODE ID NO.	SIZE	DRAWING NO.:	REV.
F	09-F0020	OJC 01/09/09					5/1	2Y194	A	42-3010	H
E	08-F0755	OJC 08/20/08									
REV.	DESCRIPTION	DRAWN	APVD.				MFG:	CHKD.:	DRAWN: ALM 8/12/02	SHEET	OF