

TITLE: SPECIFICATION CONTROL DRAWING

PART IDENTIFIER: 5653

DESCRIPTION: HIGH POWER LOAD, BERYLLIA

ASSEMBLY DWG: 1700164

1.0 SPECIFICATIONS:

- 1.1 ELECTRICAL:
 - 1.1.1 RESISTANCE VALUE: 50Ω NOMINAL.
 - 1.1.2 INPUT POWER: (@ 100°C HEAT SINK, DERATED LINEARLY TO ZERO POWER AT 150°C.).
 - 1.1.2.1 AVERAGE: 100 WATTS.
 - 1.1.2.2 PEAK: 1000 WATTS (BASED ON 100US PULSE WIDTH AND 1% DUTY CYCLE).
 - 1.1.3 FREQUENCY RANGE: DC - 4.0 GHZ.
 - 1.1.4 VSWR:
 - DC - 2.0 GHZ 1.15 MAX.
 - 2.0 - 3.0 GHZ 1.20 MAX.
 - 3.0 - 4.0 GHZ 1.35:1 MAX.
- 1.2 MECHANICAL:
 - 1.2.1 OUTLINE DWG: SEE SHEET 2.
 - 1.2.2 WORKMANSHIP: PER MIL-STD-454, REQUIREMENT 9, AND MIL-R-55342.
- 1.3 ENVIRONMENTAL:
 - 1.3.1 TEMPERATURE RANGE:
 - 1.3.1.1 STORAGE: -65°C TO +150°C.
 - 1.3.1.2 OPERATING: -55°C TO +150°C.

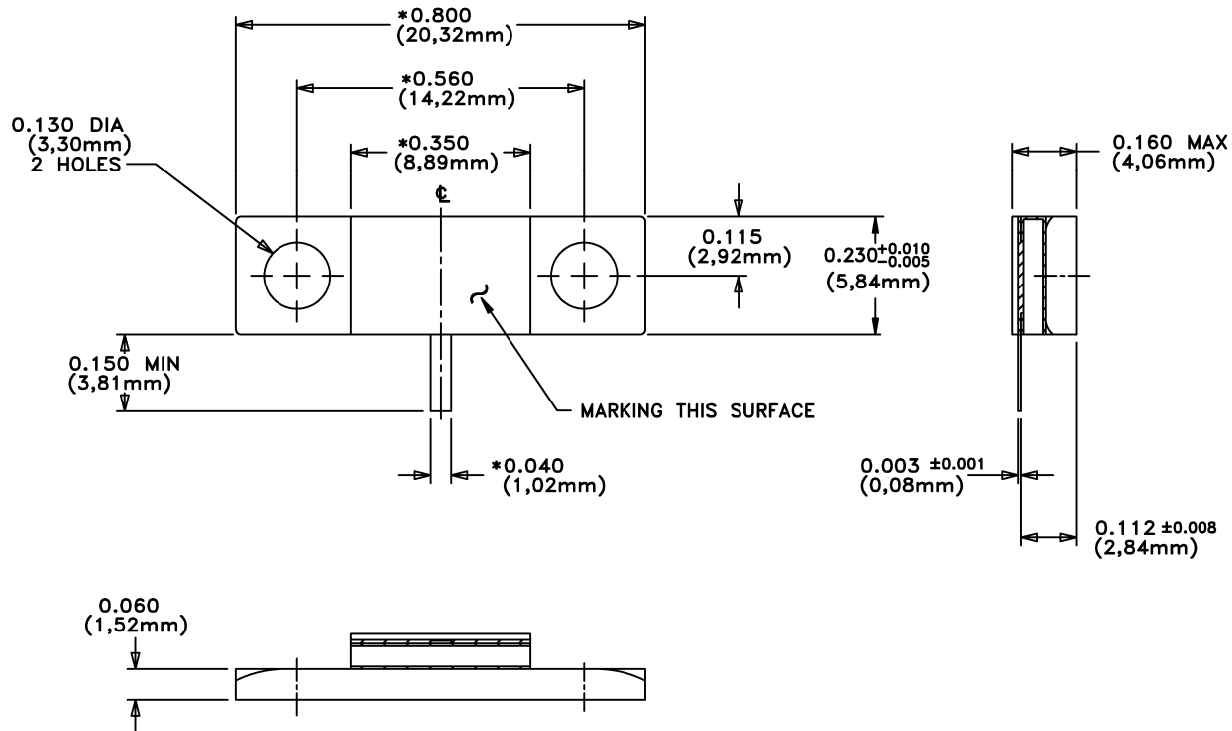
2.0 UNIT MARKING: LOGO AND PART IDENTIFIER
LEGIBILITY AND PERMANENCY PER MIL-STD-130.

3.0 QUALITY ASSURANCE:

- 3.1 VISUAL AND MECHANICAL PER 751W155.
- 3.2 100% DC RESISTANCE CHECK (GO/NO GO): 50Ω ± 5%.
- 3.3 DATA REQUIREMENTS:
 - 3.3.1 NO TEST DATA REQUIRED FOR CUSTOMER.
 - 3.3.2 DATA RETENTION - STANDARD.

4.0 PACKAGING: STANDARD PACKING PER 755W002.

EMC TECHNOLOGY 8851 SW OLD KANSAS AVE. STUART, FL 34997	CAGE CODE # 24602		DWG #	1004305000
	CHANGE NOTICE	EN 10-E0640	REV LVL	N
			SHEET	1 OF 2

**MECHANICAL SPECIFICATIONS:**

CHIP:
MATERIAL - BERYLLIA, ASTM F356.
TOP PLATE:
MATERIAL: ALUMINA, MIL-I-10.
TAB:
MATERIAL - COPPER, ASTM B152.
FINISH - SILVER, QQ-S-365.
HEAT SINK:
MATERIAL - COPPER, ASTM B187.
FINISH - NICKEL, QQ-N-290.

METRIC EQUIVALENTS ARE GIVEN FOR
REFERENCE INFORMATION ONLY

ALLOW +/-0.010 ON TOP PLATE FOR MISALIGNMENT.

* DIMENSIONS TO BE SYMMETRICAL ABOUT C.L. WITHIN ±0.005.



8851 SW OLD KANSAS AVE
STUART, FL 34997
PHONE NO. (772)286-9300
FAX NO. (772)283-5286

UNLESS OTHERWISE
SPECIFIED DIMENSIONS
ARE IN INCHES

TOLERANCES
FRACT --- --
ANG --- --
XX --- --
XXX ±0.005
XXXX --- --

THESE DRAWINGS AND SPECIFICATIONS ARE THE PROPERTY OF EMC TECHNOLOGY INC AND SHALL NOT BE DUPLICATED OR USED AS BASIS FOR THE MANUFACTURE OR SALE OF PARTS OR DEVICES WITHOUT PERMISSION.

CAGE CODE	SCALE	DRAWN BY	CHECKED BY	APPROVED BY
24602	1:1	JG 4/29/10		
REV	CHANGE NOTICE	DRAWING NO	SHEET	
N	EN 10-E0640	1004305000	2 OF 2	