

**TITLE: SPECIFICATION CONTROL DRAWING**

**PART IDENTIFIER:** CT2335AF

**DESCRIPTION:** HIGH POWER CHIP TERMINATION, ALUMINA

**ASSEMBLY DWG:** 2900174

**1.0 SPECIFICATIONS:**

- 1.1 ELECTRICAL:
  - 1.1.1 IMPEDANCE: 50Ω NOMINAL.
  - 1.1.2 FREQUENCY: DC - 2 GHZ.
  - 1.1.3 VSWR: 1.30:1 MAX.
  - 1.1.4 INPUT POWER:
    - 1.1.4.1 HEAT SINK 85°C: 90 WATTS (DERATE POWER LINEARLY TO 0 WATTS @ 125°C).
- 1.2 MECHANICAL:
  - 1.2.1 OUTLINE DWG: SEE SHEET 2.
- 1.3 ENVIRONMENTAL:
  - 1.3.1 TEMPERATURE RANGE:
    - 1.3.1.1 NON-OPERATING: -55°C TO +150°C.
    - 1.3.1.2 OPERATING: -55°C TO +125°C.

**2.0 UNIT MARKING:** NONE.

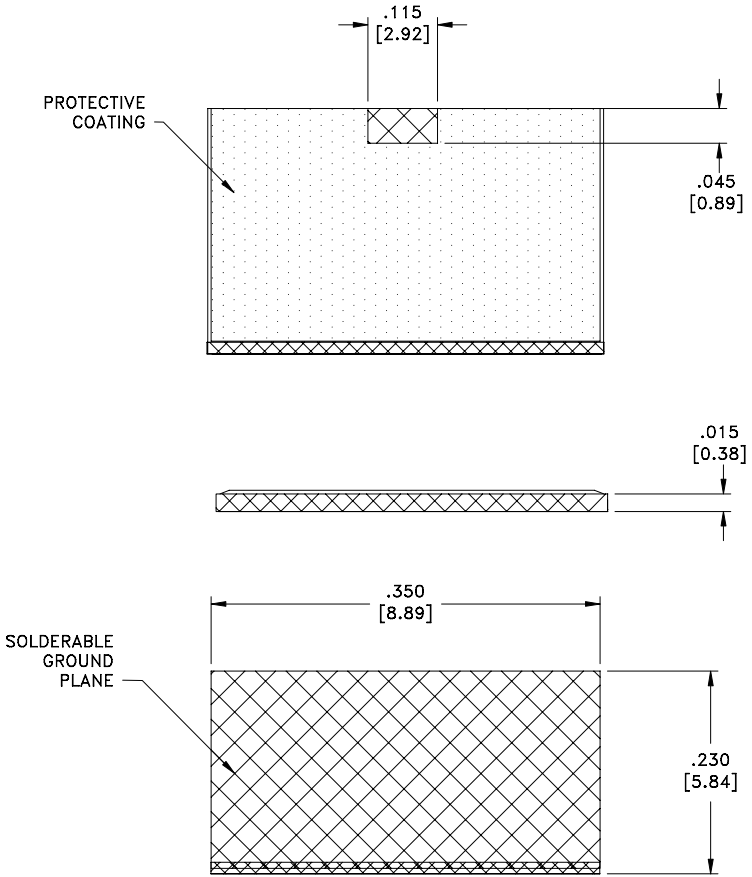
**3.0 QUALITY ASSURANCE:**

- 3.1 SAMPLE INSPECT PER ANSI/ASQC Z1.4 GENERAL INSPECTION, LEVEL II, AQL = 1.0.
  - 3.1.1 VISUAL AND MECHANICAL PER 824W154.
- 3.2 DATA REQUIREMENTS:
  - 3.2.1 NO TEST DATA REQUIRED.
  - 3.2.2 DATA RETENTION – 24 MONTHS.

**4.0 PACKAGING:** STANDARD PACKING PER 755W002.

<b>EMC TECHNOLOGY</b> <b>8851 SW OLD KANSAS AVE.</b> <b>STUART, FL 34997</b>	<b>CAGE CODE # 24602</b>		<b>DWG #</b>	1010815000
	<b>CHANGE NOTICE</b>	EN 08-E0712	<b>REV LVL</b>	A
			<b>SHEET</b>	1 OF 2

PART ID REF
CT2335AF

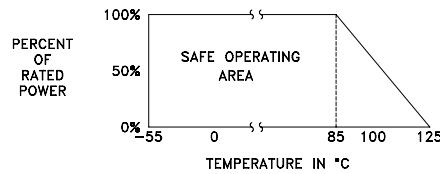



**MECHANICAL SPECIFICATIONS:**

SUBSTRATE:  
 MATERIAL - ALUMINA, MIL-I-10.  
 TERMINALS:  
 MATERIAL - THICK FILM, LEAD FREE PLATING  
 ROHS COMPLIANT.  
 RESIST:  
 MATERIAL - THIN FILM.

METRIC EQUIVALENTS GIVEN IN [mm]  
 FOR REFERENCE INFORMATION ONLY

**POWER RATING AND DERATING**



 8851 SW OLD KANSAS AVE STUART, FL 34997 PHONE NO. (772)286-9300 FAX NO. (772)283-5286	UNLESS OTHERWISE SPECIFIED DIMENSIONS ARE IN INCHES TOLERANCES FRACT --- --- ANG --- --- XX --- --- XXX ±0.010 XXXX --- ---	THESE DRAWINGS AND SPECIFICATIONS ARE THE PROPERTY OF EMC TECHNOLOGY INC AND SHALL NOT BE DUPLICATED OR USED AS BASIS FOR THE MANUFACTURE OR SALE OF PARTS OR DEVICES WITHOUT PERMISSION.					
	CAGE CODE 24602	SCALE 8:1	DRAWN BY JG 8/8/08	CHECKED BY	APPROVED BY		
	REV A	CHANGE NOTICE EN 08-E0712	DRAWING NO 1010815000	SHEET 2 OF 2			