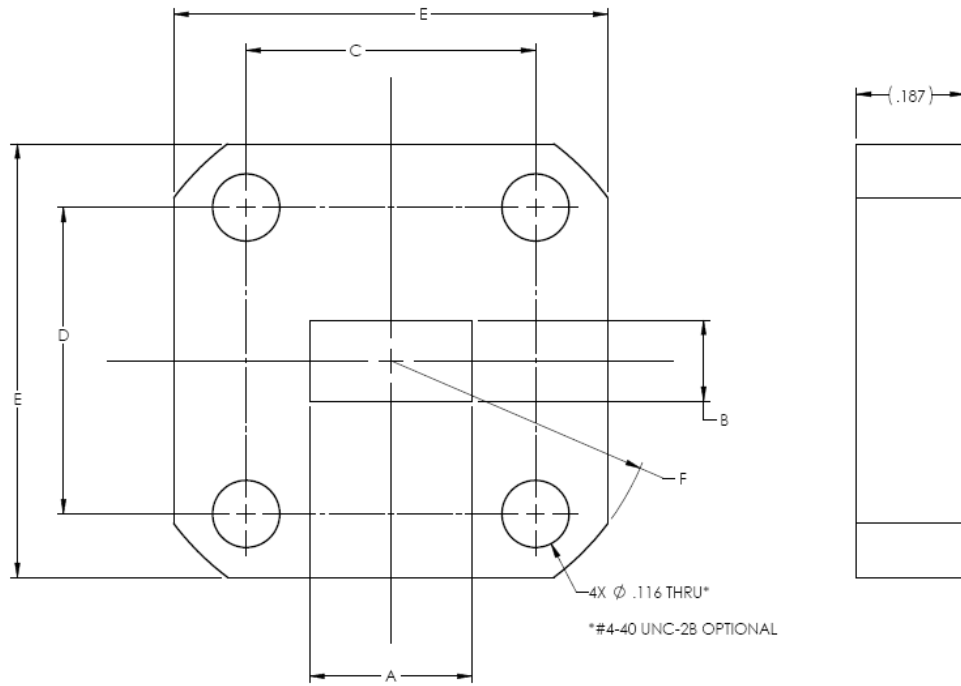


SQUARE WAVEGUIDE FLANGE DETAIL



WR-	A	B	C	D	E	F
42	.420	.170	.640	.670	.875	.563
28	.280	.140	.500	.530	.750	.469
22	.224	.112	.500	.530	.750	.469