

TITLE: SPECIFICATION CONTROL DRAWING

PART IDENTIFIER: CT2525F

DESCRIPTION: HIGH POWER CHIP TERMINATION, BERYLLIA, LEAD FREE PLATING.

ASSEMBLY DWG: 1101814

1.0 SPECIFICATIONS:

- 1.1 ELECTRICAL:
 - 1.1.1 IMPEDANCE: 50Ω NOMINAL.
 - 1.1.2 FREQUENCY: DC - 4 GHZ.
 - 1.1.3 VSWR: 1.25:1 MAX.
 - 1.1.4 INPUT POWER:
 - 1.1.4.1 HEAT SINK 100°C: 100 WATTS (DERATE POWER LINEARLY TO 0 WATTS @ 125°C).
- 1.2 MECHANICAL:
 - 1.2.1 OUTLINE DWG: SEE SHEET 2.
 - 1.2.2 WORKMANSHIP: PER MIL-STD-454, REQUIREMENT 9.
- 1.3 ENVIRONMENTAL:
 - 1.3.1 TEMPERATURE RANGE:
 - 1.3.1.1 NON-OPERATING: -55°C TO +150°C.
 - 1.3.1.2 OPERATING: -55°C TO +125°C.

2.0 UNIT MARKING: NONE.

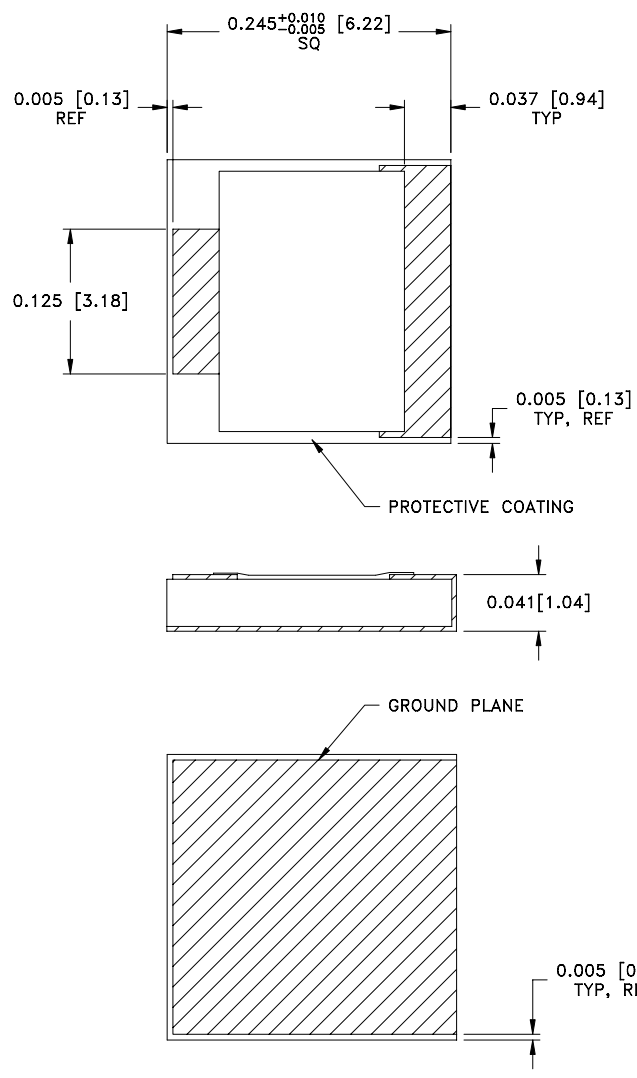
3.0 QUALITY ASSURANCE:

- 3.1 SAMPLE INSPECT PER ANSI/ASQC Z1.4 GENERAL INSPECTION, LEVEL II, AQL = 1.0.
 - 3.1.1 VISUAL AND MECHANICAL PER 824W154.
 - 3.1.2 DC RESISTANCE: 50Ω ± 5%.
- 3.2 DATA REQUIREMENTS:
 - 3.2.1 NO TEST DATA REQUIRED FOR CUSTOMER.
 - 3.2.2 DATA RETENTION - STANDARD.

4.0 PACKAGING: STANDARD PACKING PER 755W002.

EMC TECHNOLOGY 8851 SW OLD KANSAS AVE. STUART, FL 34997	CAGE CODE # 24602		DWG #	1010345000
	CHANGE NOTICE	EN 08-E0534	REV LVL	A
			SHEET	1 OF 2

PART ID REF
CT2525F

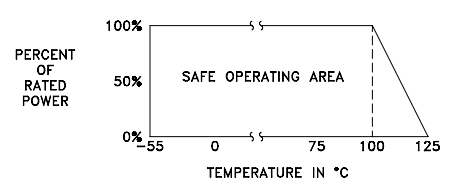


MECHANICAL SPECIFICATIONS

SUBSTRATE:
MATERIAL - BERYLLIA, ASTM F356.
TERMINAL & GROUND PLANE:
MATERIAL - THICK FILM, LEAD FREE PLATING.
ROHS COMPLIANT.
RESIST:
MATERIAL - THICK FILM.

METRIC EQUIVALENTS GIVEN IN [mm]
ARE FOR REFERENCE INFORMATION ONLY

POWER RATING AND DERATING



 8851 SW OLD KANSAS AVE STUART, FL 34997 PHONE NO. (772) 286-9300 FAX NO. (772) 283-5286	UNLESS OTHERWISE SPECIFIED DIMENSIONS ARE IN INCHES TOLERANCES FRACT --- ANG --- XX --- XXX ±0.005 XXXX ---	THESE DRAWINGS AND SPECIFICATIONS ARE THE PROPERTY OF EMC TECHNOLOGY INC AND SHALL NOT BE DUPLICATED OR USED AS BASIS FOR THE MANUFACTURE OR SALE OF PARTS OR DEVICES WITHOUT PERMISSION.			
	CAGE CODE 24602	SCALE 10:1	DRAWN BY JG 7/7/08	CHECKED BY	APPROVED BY
	REV A	CHANGE NOTICE EN 08-E0534	DRAWING NO 1010345000	SHEET 2 OF 2	