

TITLE: SPECIFICATION CONTROL DRAWING

PART IDENTIFIER: 8750

DESCRIPTION: 50 OHM FLANGE LOAD

ASSEMBLY DWG: 2100934

1.0 SPECIFICATIONS:

1.1 ELECTRICAL:

- 1.1.1 IMPEDANCE: 50 OHMS NOMINAL.
- 1.1.2 FREQUENCY RANGE: DC-5GHZ.
- 1.1.3 INPUT POWER (MAX @ 60°C): (DERATED LINEARLY TO ZERO POWER @ 150°C)
 - 1.1.3.1 AVERAGE: 75 WATTS.
 - 1.1.3.2 PEAK: 750 WATTS (10US PULSE WIDTH AND 10% DUTY CYCLE.).
- 1.1.4 VSWR: DC TO 5.0 GHZ - 1.50 MAX.

1.2 MECHANICAL:

- 1.2.1 OUTLINE DWG: SEE SHEET 2.

1.3 ENVIRONMENTAL:

- 1.3.1 TEMPERATURE RANGE:
 - 1.3.1.1 NON-OPERATING: -55°C TO +150°C.
 - 1.3.1.2 OPERATING: -55°C TO +150°C.
- 1.3.2 VIBRATION: PER MIL-STD-202, METHOD 201 AND MIL-D-39030.
- 1.3.3 SHOCK: PER MIL-STD-202, METHOD 213, COND. I.
- 1.3.4 MOISTURE: PER MIL-STD-202, METHOD 106 AND MIL-D-39030 EXCEPT LOADING VOLTAGE IS NOT APPLICABLE.

2.0 UNIT MARKING: EMCT AND PART IDENTIFIER"
LEGIBILITY AND PERMANENCY PER MIL-STD-130.

3.0 QUALITY ASSURANCE:

- 3.1 PERFORM INSPECTION IN ACCORDANCE WITH QA0006 AND FORM0357 FOR COMMERCIAL GRADE PRODUCT.
- 3.2 TEST DATA REQUIREMENTS:
 - 3.2.1 NO TEST DATA REQUIRED FOR CUSTOMER.
 - 3.2.2 DATA RETENTION – 24 MONTHS.

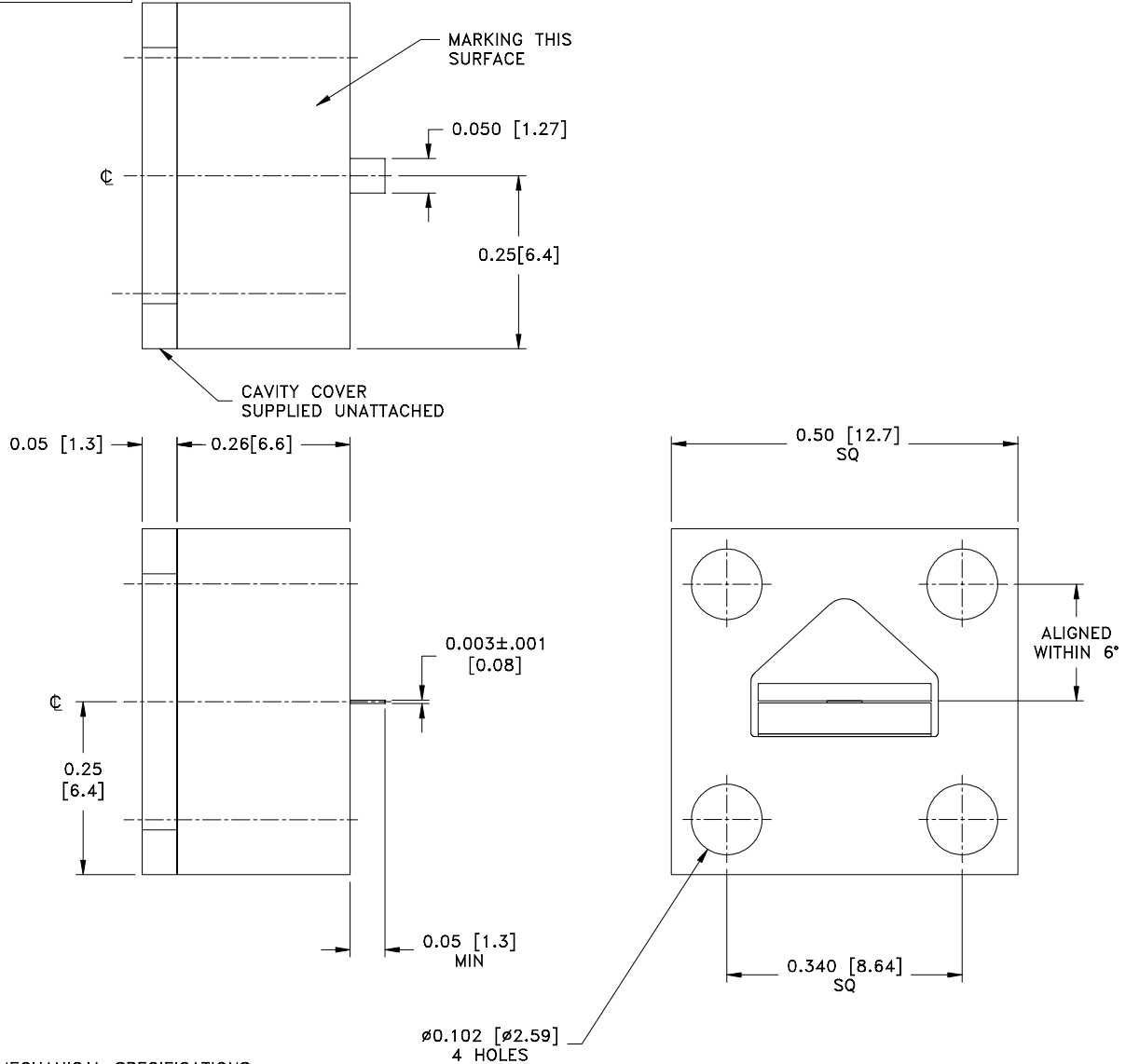
4.0 PACKAGING: STANDARD PACK PER MC0023.

NOTE: ONE UNATTACHED CAVITY COVER INCLUDED WITH EVERY UNIT.

ENG		PUR		MFG		PLAN		SM	
CC				QA					
EMC TECHNOLOGY, INC		CAGE CODE # 24602				DWG #	1008265000		
1971 OLD CUTHBERT ROAD		CHANGE NOTICE	EN 01-305			REV LVL	B		
CHERRY HILL, NJ 08034						SHEET	1 OF 2		

PART ID REF

8750



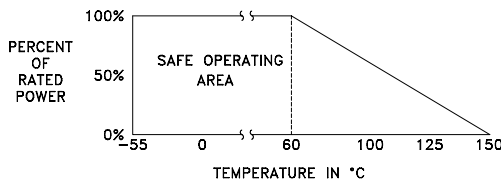
MECHANICAL SPECIFICATIONS:

FLANGE CASE:
 MATERIAL - TELLURIUM COPPER, ASTM B301.
 FINISH - NICKEL, QQ-N-290.
COVER:
 MATERIAL - ALUMINUM, QQ-A-250.
 FINISH - CHROMATE, MIL-C-5541.
LEAD:
 MATERIAL - COPPER, ASTM B152.
 FINISH - GOLD, MIL-G-45204.
SUBSTRATE:
 MATERIAL - BERYLLIA, ASTM F356.

METRIC EQUIVALENTS GIVEN IN []
 ARE FOR REFERENCE INFORMATION ONLY



POWER RATING AND DERATING



EMC TECHNOLOGY INC
 1971 OLD CUTHBERT RD
 CHERRY HILL NJ 08034
 PHONE NO. (856) 429-7800
 FAX NO. (856) 429-1807

UNLESS OTHERWISE SPECIFIED DIMENSIONS ARE IN INCHES TOLERANCES
 FRACT --- --
 ANG --- --
 XX ±0.01
 XXX ±0.005
 XXXX --- --

THESE DRAWINGS AND SPECIFICATIONS ARE THE PROPERTY OF EMC TECHNOLOGY INC AND SHALL NOT BE DUPLICATED OR USED AS BASIS FOR THE MANUFACTURE OR SALE OF PARTS OR DEVICES WITHOUT PERMISSION.

CAGE CODE	SCALE	DRAWN BY	CHECKED BY	APPROVED BY
24602	1:1	CME 08/16/2001		DAR 8/21/01
REV	CHANGE NOTICE	DRAWING NO	SHEET	
B	EN 01-305	1008265000	2 OF 2	