

TITLE: ENGINEERING CONTROL DRAWING.

PART IDENTIFIER: CT3737TALNF

DESCRIPTION: HIGH POWER CHIP TERMINATION, ALUMINUM NITRIDE, TUNED, ROHS COMPLIANT.

ASSEMBLY DWG: 2900194

1.0 SPECIFICATIONS:

- 1.1 ELECTRICAL:
 - 1.1.1 IMPEDANCE: 50Ω NOMINAL.
 - 1.1.2 FREQUENCY: DC – 3.0 GHZ.
 - 1.1.3 VSWR: 1.15:1 MAX.
 - 1.1.4 INPUT POWER:
 - 1.1.4.1 HEAT SINK 100°C: 180 WATTS (DERATE POWER LINEARLY TO 0 WATTS @ 150°C).
- 1.2 MECHANICAL:
 - 1.2.1 OUTLINE DWG: SEE SHEET 2.
 - 1.2.2 WORKMANSHIP: PER MIL-PRF-55342.
- 1.3 ENVIRONMENTAL:
 - 1.3.1 TEMPERATURE RANGE:
 - 1.3.1.1 NON-OPERATING: -55°C TO +150°C.
 - 1.3.1.2 OPERATING: -55°C TO +150°C.

2.0 UNIT MARKING: NONE.

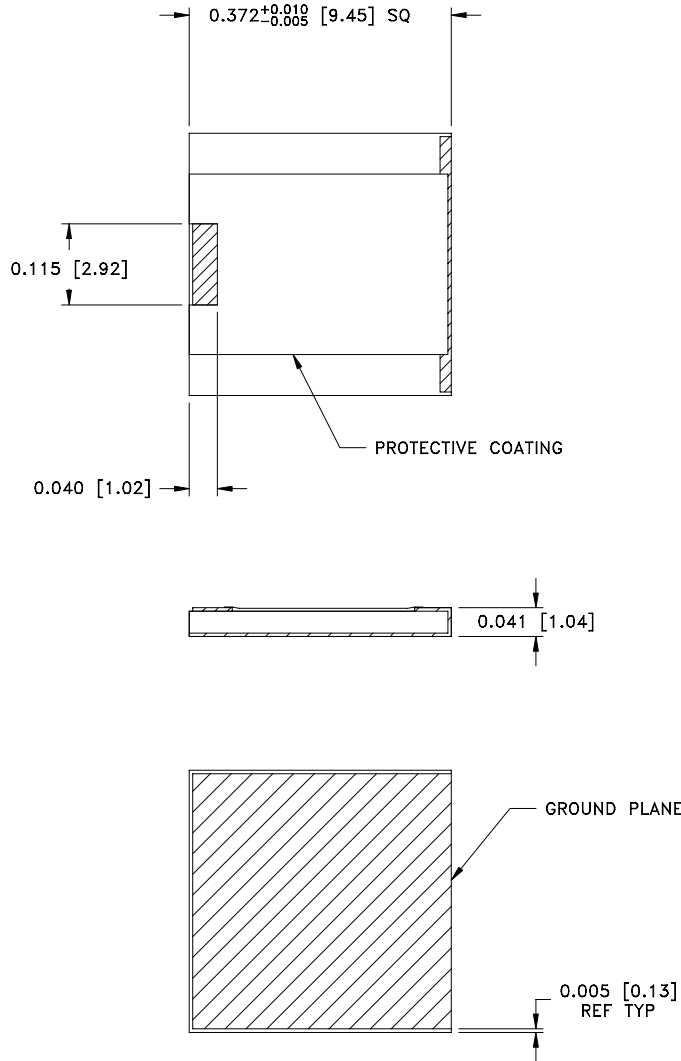
3.0 QUALITY ASSURANCE:

- 3.1 SAMPLE INSPECT PER ANSI/ASQC Z1.4 GENERAL INSPECTION, LEVEL II, AQL = 1.0.
 - 3.1.1 VISUAL AND MECHANICAL PER 824W154.
- 3.2 100% DC RESISTANCE CHECK (GO/NO GO): 50Ω ± 5%.
- 3.3 DATA REQUIREMENTS:
 - 3.3.1 NO TEST DATA REQUIRED.
 - 3.3.2 DATA RETENTION – 24 MONTHS.

4.0 PACKAGING: STANDARD PACKING PER 755W002.

EMC TECHNOLOGY 8851 SW OLD KANSAS AVE. STUART, FL 34997	CAGE CODE # 24602		DWG #	1010995000
	CHANGE NOTICE	EN 08-E0712	REV LVL	A
			SHEET	1 OF 2

PART ID REF
CT3737TALNF

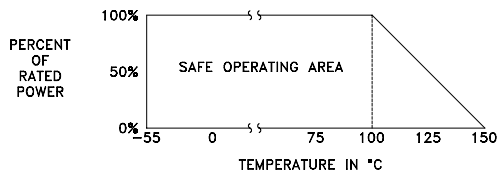


MECHANICAL SPECIFICATIONS:

SUBSTRATE:
MATERIAL - ALUMINUM NITRIDE, MIL-I-10.
TERMINAL & GROUND PLANE:
MATERIAL - THICK FILM, LEAD FREE PLATING
ROHS COMPLIANT.
RESIST:
MATERIAL - THIN FILM.

METRIC EQUIVALENTS GIVEN IN [mm]
FOR REFERENCE INFORMATION ONLY

POWER RATING AND DERATING



8851 SW OLD KANSAS AVE
STUART, FL 34997
PHONE NO. (772)286-9300
FAX NO. (772)283-5286

UNLESS OTHERWISE SPECIFIED DIMENSIONS ARE IN INCHES
TOLERANCES
FRACT ---
ANG ---
XX ---
XXX ±0.005
XXXX ---

THESE DRAWINGS AND SPECIFICATIONS ARE THE PROPERTY OF EMC TECHNOLOGY INC AND SHALL NOT BE DUPLICATED OR USED AS BASIS FOR THE MANUFACTURE OR SALE OF PARTS OR DEVICES WITHOUT PERMISSION.

CAGE CODE	SCALE	DRAWN BY	CHECKED BY	APPROVED BY
24602	6:1	JG 8/8/08		
REV	CHANGE NOTICE	DRAWING NO	SHEET	
A	EN 08-E0712	1010995000	2 OF 2	