

TITLE: SPECIFICATION CONTROL DRAWING

PART IDENTIFIER: CT2525S

DESCRIPTION: HIGH POWER CHIP TERMINATION, BERYLLIA

ASSEMBLY DWG: 1101804

1.0 SPECIFICATIONS:

- 1.1 ELECTRICAL:
 - 1.1.1 IMPEDANCE: 50Ω NOMINAL.
 - 1.1.2 FREQUENCY: DC - 4 GHZ.
 - 1.1.3 VSWR: 1.25:1 MAX.
 - 1.1.4 INPUT POWER:
 - 1.1.4.1 HEAT SINK 100°C: 100 WATTS (DERATE POWER LINEARLY TO 0 WATTS @ 125°C).
- 1.2 MECHANICAL:
 - 1.2.1 OUTLINE DWG: SEE SHEET 2.
 - 1.2.2 WORKMANSHIP: PER MIL-STD-454, REQUIREMENT 9.
- 1.3 ENVIRONMENTAL:
 - 1.3.1 TEMPERATURE RANGE:
 - 1.3.1.1 NON-OPERATING: -55°C TO +150°C.
 - 1.3.1.2 OPERATING: -55°C TO +125°C.

2.0 UNIT MARKING: NONE.

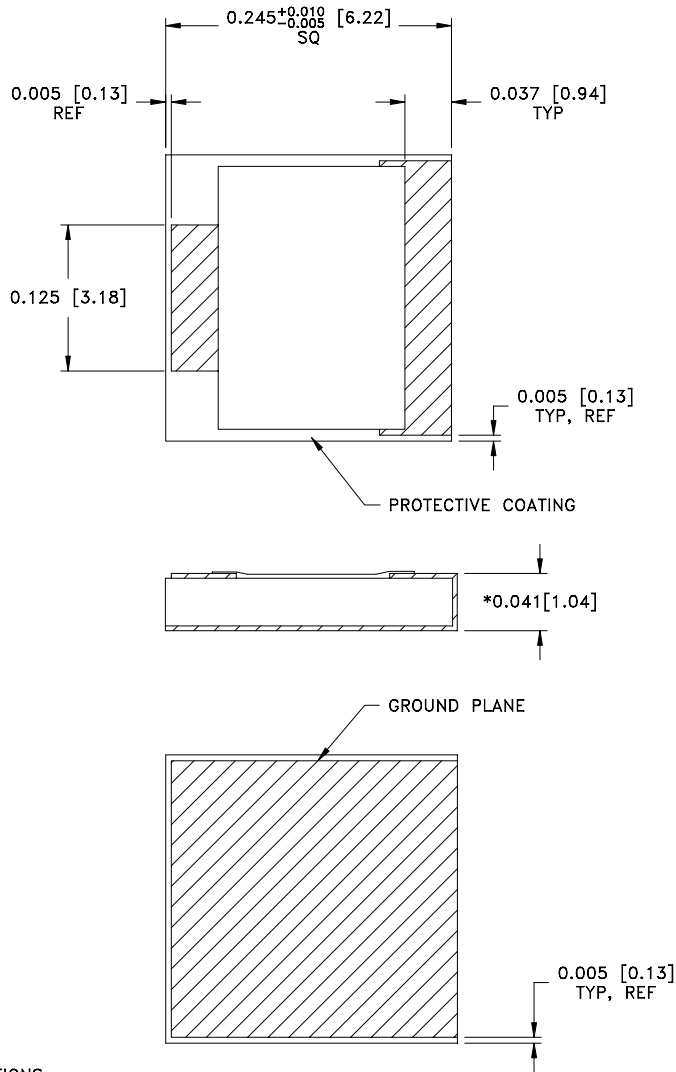
3.0 QUALITY ASSURANCE:

- 3.1 SAMPLE INSPECT PER ANSI/ASQC Z1.4 GENERAL INSPECTION, LEVEL II, AQL = 1.0.
 - 3.1.1 VISUAL AND MECHANICAL PER 824W154.
 - 3.1.2 DC RESISTANCE: 50Ω ± 5%.
- 3.2 DATA REQUIREMENTS:
 - 3.2.1 NO TEST DATA REQUIRED FOR CUSTOMER.
 - 3.2.2 DATA RETENTION - STANDARD.

4.0 PACKAGING: STANDARD PACKING PER 755W002.

EMC TECHNOLOGY 8851 SW OLD KANSAS AVE. STUART, FL 34997	CAGE CODE # 24602		DWG #	1010335000
	CHANGE NOTICE	EN 08-E0534	REV LVL	A
			SHEET	1 OF 2

PART ID REF
CT2525S



MECHANICAL SPECIFICATIONS

SUBSTRATE:
MATERIAL - BERYLLIA, ASTM F356.

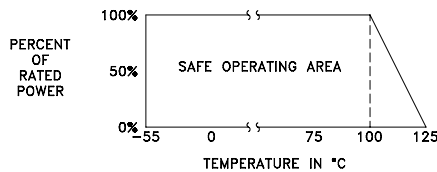
TERMINAL & GROUND PLANE:
MATERIAL - THICK FILM, NICKEL BARRIER,
SOLDER COATED.

RESIST:
MATERIAL - THICK FILM.

* DIMENSIONS APPLY BEFORE SOLDER. ALLOW
0.015 MAX FOR ALL PRETINNED SURFACES.

METRIC EQUIVALENTS GIVEN IN [mm]
ARE FOR REFERENCE INFORMATION ONLY

POWER RATING AND DERATING



8851 SW OLD KANSAS AVE
STUART, FL 34997
PHONE NO. (772)286-9300
FAX NO. (772)283-5286

UNLESS OTHERWISE SPECIFIED DIMENSIONS ARE IN INCHES

TOLERANCES

FRACT --- ---
ANG --- ---
XX --- ---
XXX ±0.005
XXXX --- ---

THESE DRAWINGS AND SPECIFICATIONS ARE THE PROPERTY OF EMC TECHNOLOGY INC AND SHALL NOT BE DUPLICATED OR USED AS BASIS FOR THE MANUFACTURE OR SALE OF PARTS OR DEVICES WITHOUT PERMISSION.

CAGE CODE 24602	SCALE 10:1	DRAWN BY JG 7/7/08	CHECKED BY	APPROVED BY
REV A	CHANGE NOTICE EN 08-E0534	DRAWING NO 1010335000	SHEET 2 OF 2	