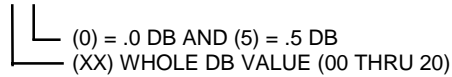


**TITLE: SPECIFICATION CONTROL DRAWING**

**PART IDENTIFIER:** TT3XXXG



**DESCRIPTION:** CHIP ATTENUATOR

**ASSEMBLY DWG:** 1900724

**1.0 SPECIFICATIONS:**

**1.1 ELECTRICAL:**

- 1.1.1 IMPEDANCE: 50 OHMS NOMINAL.
- 1.1.2 FREQUENCY RANGE: DC-12.4 GHZ.
- 1.1.3 ATTENUATION VALUES AVAILABLE: 0-20DB IN 0.5 DB INCREMENTS.
- 1.1.4 ATTENUATION ACCURACY: SEE TABLE.

ATTENUATION ACCURACY			
DB	DC - 4 GHZ	4 - 8 GHZ	8 - 12.4 GHZ
0	-0, +0.3	-0, +0.5	-0, +0.5
1 -3	±0.3	±0.5	±0.5
4 - 6	±0.4	±0.5	±0.5
7 - 10	±0.5	±0.5	±0.75
11 - 15	±0.75	+0.5,-3.0	+0.5,-3.5
16 - 20	±1.0	+0.5,-4.0	+1.0,-6.0

- 1.1.5 VSWR: 1.30 MAX.
- 1.1.6 INPUT POWER: 2 WATTS CW.
  - 1.1.6.1 FULL RATED POWER TO 125°C, DERATED LINEARLY TO 0 WATTS AT 150°C.
  - 1.1.6.2 PEAK POWER, 50 WATTS FOR 10US PULSE WIDTH @ 1% DUTY CYCLE.

**1.2 MECHANICAL:**

- 1.2.1 OUTLINE DWG: SEE SHEET 2.
- 1.2.2 WORKMANSHIP: PER MIL-PRF-55342.

**1.3 ENVIRONMENTAL:**

- 1.3.1 ALTITUDE:
  - 1.3.1.1 NON-OPERATING: SEA LEVEL TO 50,000 FEET.
  - 1.3.1.2 OPERATING: SEA LEVEL TO 50,000 FEET.
- 1.3.2 TEMPERATURE RANGE:
  - 1.3.2.1 NON-OPERATING: -55 C TO +150 C.
  - 1.3.2.2 OPERATING -55°C TO +150°C.
- 1.3.3 VIBRATION: PER MIL-STD-202, METHOD 204, COND. D
- 1.3.4 SHOCK: PER MIL-STD-202, METHOD 213, COND. I.
- 1.3.5 MOISTURE RESISTANCE: PER MIL-STD-202, METHOD 106 EXCEPT SUBCYCLE STEPS 7A AND 7B AND POLARIZATION AND LOAD ARE NOT APPLICABLE.

**1.4 ELECTROSTATIC DISCHARGE CONTROL: PER MIL-STD-1686.**

**2.0 UNIT MARKING:** "DB VALUE, GREEN DOT ADDS 0.5DB." LEGIBILITY AND PERMANENCY PER MIL-STD-130.

**3.0 QUALITY ASSURANCE:**

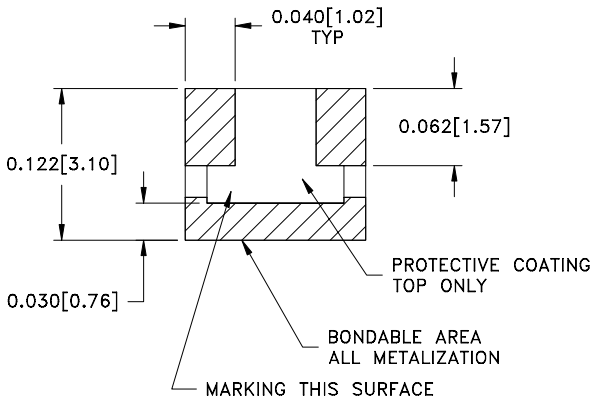
- 3.1 SAMPLE INSPECT PER ANSI/ASQC Z1.4 GENERAL INSPECTION, LEVEL II, AQL = 1.0.
  - 3.1.1 VISUAL AND MECHANICAL EXAMINATION FOR CONFORMANCE TO OUTLINE DRAWING REQUIREMENTS.
- 3.2 PERFORM INSPECTION IN ACCORDANCE WITH QA0006 AND FORM0357 FOR COMMERCIAL GRADE PRODUCT.
- 3.3 TEST DATA REQUIREMENTS:
  - 3.3.1 NO TEST DATA REQUIRED FOR CUSTOMER.
  - 3.3.1 DATA RETENTION – 24 MONTHS.

**4.0 PACKAGING:** STANDARD PACKPER MC0023.

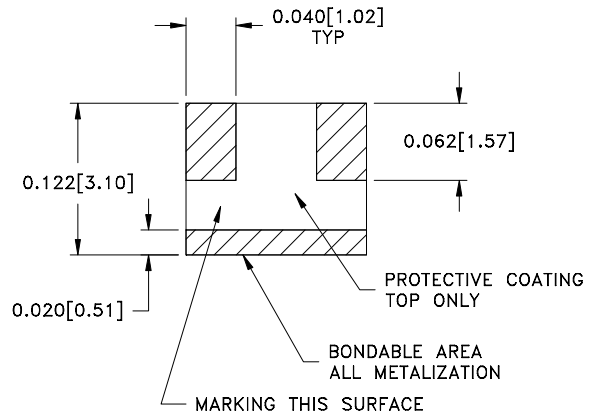
ENG		PUR		MFG		PLAN		SM		
CC				QA						
EMC TECHNOLOGY, INC 1971 OLD CUTHBERT ROAD CHERRY HILL, NJ 08034		CAGE CODE # 24602					DWG #	1001145000		
		CHANGE NOTICE	EN 02-091				REV LVL	D		
							SHEET	1 OF 2		

PART ID REF

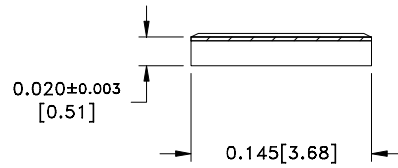
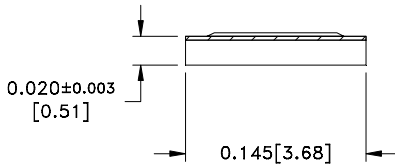
TT3XXXG



**0-10.5dB**



**11-20dB**



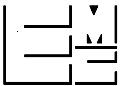
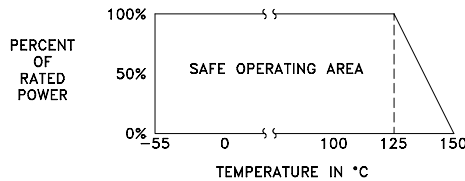
**MECHANICAL SPECIFICATIONS:**

SUBSTRATE:  
 MATERIAL - ALUMINA 96%, MIL-I-10.  
 TERMINAL:  
 MATERIAL - BONDABLE GOLD.  
 RESISTIVE ELEMENT:  
 MATERIAL - TANTALUM NITRIDE.

METRIC EQUIVALENTS GIVEN IN [mm] FOR REFERENCE INFORMATION ONLY



**POWER RATING AND DERATING**



EMC TECHNOLOGY INC  
 1971 OLD CUTHBERT RD  
 CHERRY HILL NJ 08034  
 PHONE NO. (856) 429-7800  
 FAX NO. (856) 429-1807

UNLESS OTHERWISE SPECIFIED DIMENSIONS ARE IN INCHES TOLERANCES FRACT --- ANG --- XX --- ±0.005 XXXX ---

THESE DRAWINGS AND SPECIFICATIONS ARE THE PROPERTY OF EMC TECHNOLOGY INC AND SHALL NOT BE DUPLICATED OR USED AS BASIS FOR THE MANUFACTURE OR SALE OF PARTS OR DEVICES WITHOUT PERMISSION.

CAGE CODE	SCALE	DRAWN BY	CHECKED BY	APPROVED BY
24602	10:1	BC 4/3/02		DAR 4/3/02
REV	CHANGE NOTICE	DRAWING NO	SHEET	
D	EN 02-091	1001145000	2 OF 2	