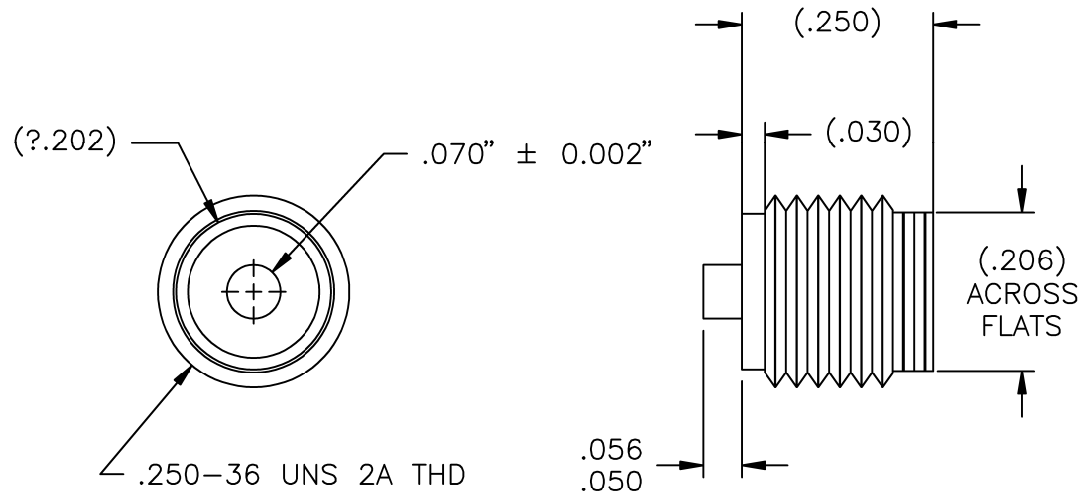
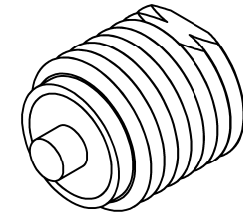


EDD

NOTES:  
UNLESS OTHERWISE SPECIFIED, TOLERANCES ARE ± .010" [.254mm].

DRAWING NO.:  
**42-3008**

REV.  
**H**



MATERIALS:


BODY: BeCu PER ASTM B194  
CONTACT: BeCu PER QQ-C-530  
INSULATOR: TEFLON PER MIL-P-19468  
RESISTOR: ALUMINA

FINISH:

BODY: NICKEL PER QQ-N-290  
CONTACT: GOLD PER MIL-G-45204

TECHNICAL DATA:

RESISTANCE: 50 OHMS ± 5%  
FREQUENCY: DC-18.0 GHz  
VSWR: 1.30:1  
AVERAGE POWER: 3 WATTS

				ECN# 01605	APVD	DATE	REFERENCE	 8851 OLD KANSAS AVE. STUART, FL. 34997 772-286-9300						
				UNLESS OTHERWISE SPECIFIED				TITLE <b>TERMINATION, THREADED, 3 WATT</b>						
				1. DO NOT SCALE DRAWING 2. DIMENSIONS ARE IN INCHES 3. DIMENSIONS ARE AFTER PLATING 4. CORNERS, EDGES AND FILLETS: R MAX 5. SURFACE ROUGHNESS: 6. REMOVE ALL BURRS			MATERIAL			-				
				TOLERANCES				FINISH	-					
				.X ±	ANGLES X° ±		SCALE	CAGE CODE ID NO.	SIZE	DRAWING NO.:	REV.			
H	09-F0709	CRH 07/17/09		THE INFORMATION CONTAINED HEREIN IS: (A) CONSIDERED PROPRIETARY TO FLORIDA RF LABS INC.; (B) PROTECTED BY COPYRIGHT OWNED BY FLORIDA RF LABS INC.; (C) CONSIDERED A "WORK FOR HIRE" UNDER COPYRIGHT LAW; (D) PROTECTED BY TRADE SECRET LAWS WHICH MAKE ILLEGAL THE MISAPPROPRIATION OF THIS INFORMATION; AND (E) IS TO BE USED SOLELY FOR THE PURPOSE WHICH IT IS SUPPLIED. THIS INFORMATION SHALL NOT BE DISCLOSED IN WHOLE OR IN PART, TO ANY PARTY, FOR ANY REASON WITHOUT THE EXPRESS WRITTEN CONSENT OF A QUALIFIED EXECUTIVE OF FLORIDA RF LABS INC.			<b>4/1</b>	<b>2Y194</b>	<b>A</b>	<b>42-3008</b>	<b>H</b>			
F	09-F0020	OJC 01/09/09					MFG:	MJK 10/16/02	CHKD.:	DR 10/15/02	DRAWN:	ALM 10/11/02	SHEET	OF
E	08-F0755	OJC 08/20/08												
D	EN#04-F0050	ALM 02/09/04												
REV.	DESCRIPTION	DRAWN	APVD.											