

TITLE: SPECIFICATION CONTROL DRAWING

PART IDENTIFIER: 8488

DESCRIPTION: 50 OHM FLANGE LOAD

ASSEMBLY DWG: 2100794

1.0 SPECIFICATIONS:

1.1 ELECTRICAL:

- 1.1.1 IMPEDANCE: 50 OHMS NOMINAL.
- 1.1.2 FREQUENCY RANGE: DC-14.5 GHZ.
- 1.1.3 INPUT POWER (MAX @ 60°C):
 - 1.1.3.1 AVERAGE: 25 WATTS.
 - 1.1.3.2 PEAK: 100 WATTS (100 US PULSE WIDTH AND 0.1% DUTY CYCLE).
- 1.1.4 VSWR:
 - DC TO 4.0 GHZ - 1.15 MAX.
 - 4.0 TO 8.0 GHZ - 1.25 MAX.
 - 8.0 TO 12.0 GHZ - 1.25 MAX.
 - 12.0 TO 14.5 GHZ - 1.50 MAX.

1.2 MECHANICAL:

- 1.2.1 OUTLINE DWG: SEE SHEET 2.
- 1.2.2 WORKMANSHIP: PER MIL-STD-454, REQUIREMENT 9.

1.3 ENVIRONMENTAL:

- 1.3.1 TEMPERATURE RANGE:
 - 1.3.1.1 NON-OPERATING: -55°C TO + 150°C.
 - 1.3.1.2 OPERATING: -55°C TO +125°C.
- 1.3.2 VIBRATION: PER MIL-STD-202, METHOD 201 AND MIL-D-39030.
- 1.3.3 SHOCK: PER MIL-STD-202, METHOD 213, COND. I.
- 1.3.4 MOISTURE: PER MIL-STD-202, METHOD 106 AND MIL-D-39030 EXCEPT LOADING VOLTAGE IS NOT APPLICABLE.

2.0 UNIT MARKING: "EMCT"

LEGIBILITY AND PERMANENCY PER MIL-STD-130.

3.0 QUALITY ASSURANCE:

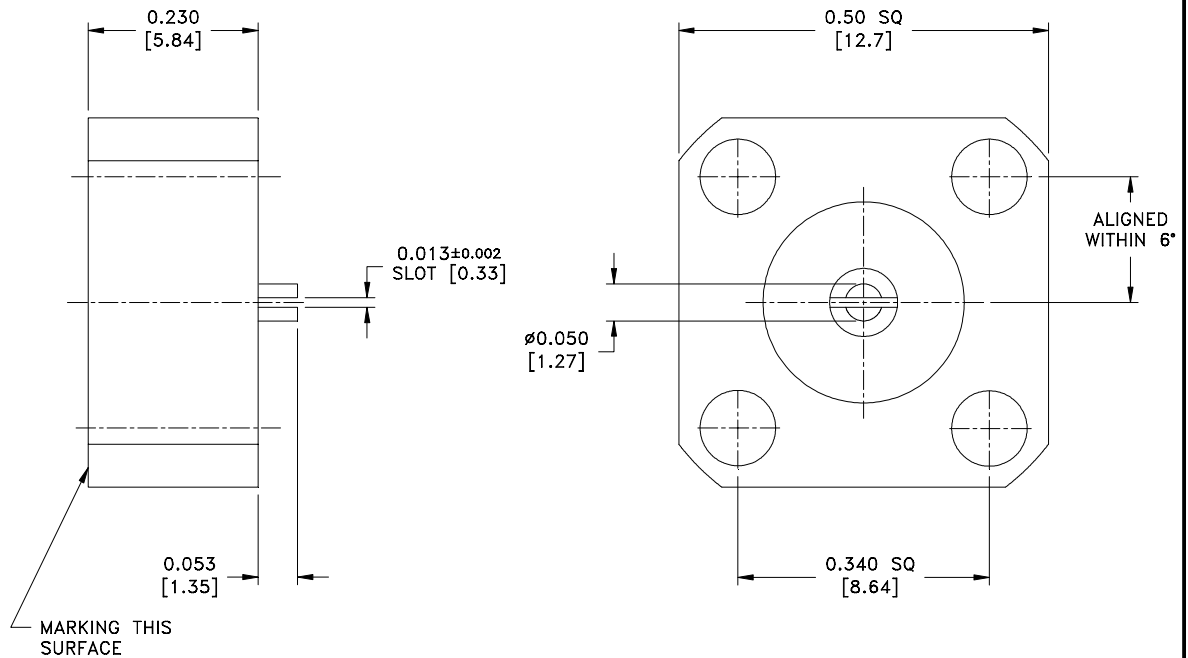
- 3.1 SAMPLE INSPECT PER ANSI/ASQC Z1.4 GENERAL INSPECTION, LEVEL II, AQL = 1.0.
 - 3.1.1 VISUAL AND MECHANICAL EXAMINATION FOR CONFORMANCE TO CONTROL DRAWING REQUIREMENTS, INCLUDING SMA INTERFACE.
 - 3.1.2 MEASURE AND RECORD VSWR @ 1 TO 18 GHZ IN 1 GHZ INCREMENTS.
 - 3.1.2.1 ACCEPTANCE LIMITS: SEE ELECTRICAL 1.1.4.
- 3.2 TEST DATA REQUIREMENTS:
 - 3.2.1 NO TEST DATA REQUIRED FOR CUSTOMER.
 - 3.2.2 DATA RETENTION – 24 MONTHS.

4.0 PACKAGING: STANDARD PACK PER MC0023.

ENG		PUR		MFG		PLAN		SM		
CC				QA						
EMC TECHNOLOGY, INC 1971 OLD CUTHBERT ROAD CHERRY HILL, NJ 08034		CAGE CODE # 24602					DWG #	1000755000		
		CHANGE NOTICE	EN 01-420				REV LVL	D		
							SHEET	1 OF 2		

PART ID REF

8488

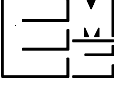


MECHANICAL SPECIFICATIONS:

CASE:
 MATERIAL - ALUMINUM, QQ-A-225.
 FINISH - CHROMATE, MIL-C-5541.
 PIN:
 MATERIAL - BERYLLIUM COPPER, ASTM B197.
 FINISH - GOLD, MIL-G-45204, TYPE II, CLASS 1.
 DIELECTRIC:
 MATERIAL - TEFLON, ASTM D1710.
 CERAMIC:
 MATERIAL - BERYLLIA, ASTM F-356.

METRIC EQUIVALENTS GIVEN IN [mm]
 FOR REFERENCE INFORMATION ONLY




EMC TECHNOLOGY INC
 1971 OLD CUTHBERT RD
 CHERRY HILL NJ 08034
 PHONE NO. (856) 429-7800
 FAX NO. (856) 429-1807

UNLESS OTHERWISE
 SPECIFIED DIMENSIONS
 ARE IN INCHES
 TOLERANCES
 FRACT --- --
 ANG --- --
 XX ±0.01
 XXX ±0.005
 XXXX --- --

THESE DRAWINGS AND SPECIFICATIONS ARE THE PROPERTY OF EMC TECHNOLOGY INC AND SHALL NOT BE DUPLICATED OR USED AS BASIS FOR THE MANUFACTURE OR SALE OF PARTS OR DEVICES WITHOUT PERMISSION.

CAGE CODE	SCALE	DRAWN BY	CHECKED BY	APPROVED BY
24602	1:1	CME 09/12/2001		DAR 10/01/01
REV	CHANGE NOTICE	DRAWING NO	SHEET	
D	EN 01-420	1000755000	2 OF 2	