

TITLE: SPECIFICATION CONTROL DRAWING

PART IDENTIFIER: CT2335ALNF

DESCRIPTION: HIGH POWER CHIP TERMINATION, ALUMINUM NITRIDE, THICK FILM, LEAD FREE

ASSEMBLY DWG: 1102094

1.0 SPECIFICATIONS:

- 1.1 ELECTRICAL:
 - 1.1.1 IMPEDANCE: 50Ω NOMINAL.
 - 1.1.2 FREQUENCY: DC - 2 GHZ.
 - 1.1.3 VSWR: 1.25:1 MAX.
 - 1.1.4 INPUT POWER:
 - 1.1.4.1 HEAT SINK 100°C: 85 WATTS (DERATE POWER LINEARLY TO 0 WATTS @ 125°C).
- 1.2 MECHANICAL:
 - 1.2.1 OUTLINE DWG: SEE SHEET 2.
- 1.3 ENVIRONMENTAL:
 - 1.3.1 TEMPERATURE RANGE:
 - 1.3.1.1 NON-OPERATING: -55°C TO +150°C.
 - 1.3.1.2 OPERATING: -55°C TO +125°C.

2.0 UNIT MARKING: NONE.

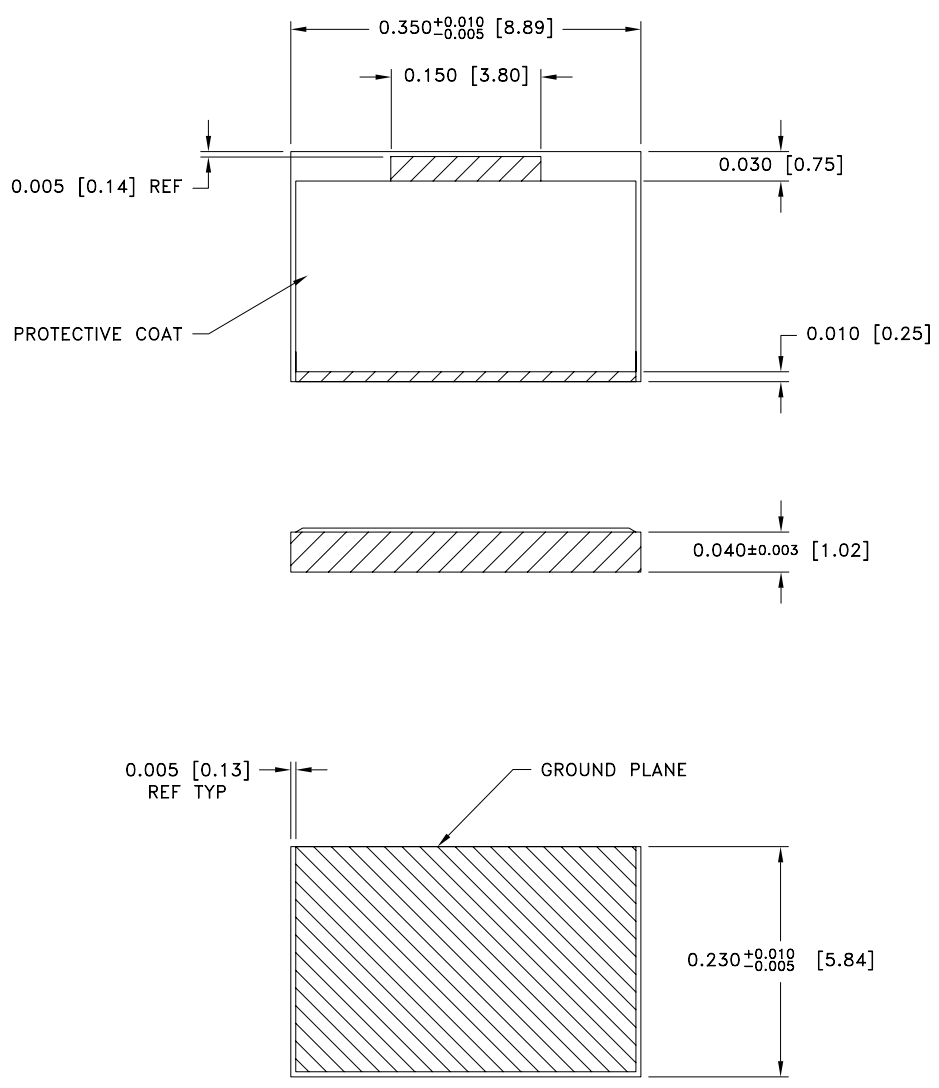
3.0 QUALITY ASSURANCE:

- 3.1 SAMPLE INSPECT PER ANSI/ASQC Z1.4 GENERAL INSPECTION, LEVEL II, AQL = 1.0.
 - 3.1.1 VISUAL AND MECHANICAL PER 824W154.
 - 3.1.2 DC RESISTANCE: 50Ω ± 5%.
- 3.2 DATA REQUIREMENTS:
 - 3.2.1 NO TEST DATA REQUIRED.
 - 3.2.2 DATA RETENTION – 24 MONTHS.

4.0 PACKAGING: STANDARD PACKING PER 755W002.

EMC TECHNOLOGY 8851 SW OLD KANSAS AVE. STUART, FL 34997	CAGE CODE # 24602		DWG #	1010755000
	CHANGE NOTICE	EN 10-0706	REV LVL	B
			SHEET	1 OF 2

PART ID REF
CT2335ALNF

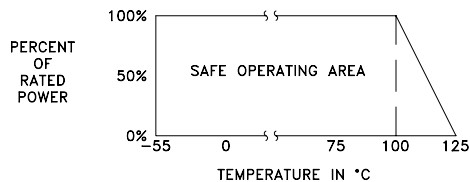


MECHANICAL SPECIFICATIONS:

SUBSTRATE:
MATERIAL - ALUMINUM NITRIDE, MIL-I-10.
TERMINALS:
MATERIAL - THICK FILM, LEAD FREE PLATING
ROHS COMPLIANT.
RESIST:
MATERIAL - THICK FILM.

METRIC EQUIVALENTS GIVEN IN [mm]
FOR REFERENCE INFORMATION ONLY

POWER RATING AND DERATING



8851 SW OLD KANSAS AVE
STUART, FL 34997
PHONE NO. (772) 286-9300
FAX NO. (772) 283-5286

UNLESS OTHERWISE SPECIFIED DIMENSIONS ARE IN INCHES

TOLERANCES
FRACT ---
ANG ---
XX ---
XXX ±0.005
XXXX ---

THESE DRAWINGS AND SPECIFICATIONS ARE THE PROPERTY OF EMC TECHNOLOGY INC AND SHALL NOT BE DUPLICATED OR USED AS BASIS FOR THE MANUFACTURE OR SALE OF PARTS OR DEVICES WITHOUT PERMISSION.

CAGE CODE 24602	SCALE 8:1	DRAWN BY JG 8/8/08	CHECKED BY	APPROVED BY
REV B	CHANGE NOTICE EN 10-0706	DRAWING NO 1010755000	SHEET 2 OF 2	