

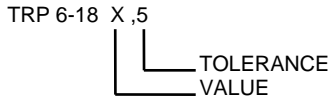
**TITLE: SPECIFICATION CONTROL DRAWING
EMC PROPRIETARY**

REVISIONS RECORD			
REV	SHEET	DATE	DESCRIPTION
A	1	01/23/91	ADDED UNIT MARKING: NONE.
B	1-2	04/24/97	ECN 95-125, CATALOG
C	1-2	08/06/01	EN 01-360, UPDATE SCD TO CURRENT SPECS.
C	1-2	10/7/04	EN 04-E231, REMOVE SIGNATURE BLOCK, NO REV CHANGE
D	1-2	10/7/13	EN 13-2976, UPDATE PART IDENTIFIER & TOLERANCE, PACKAGING

EMC TECHNOLOGY 8851 SW OLD KANSAS AVE. STUART, FL 34997	CAGE CODE # 24602	DWG# 1001605000	SHEET	REF
			REV LEVEL	D

TITLE: SPECIFICATION CONTROL DRAWING

PART IDENTIFIER:



DESCRIPTION: : ROD RESISTOR, BERYLLIA

ASSEMBLY DWG: 1300034

1.0 SPECIFICATIONS:

- 1.1 ELECTRICAL:
 - 1.1.1 RESISTANCE RANGE: 10Ω TO 250Ω.
 - 1.1.2 TOLERANCE: 5%.
 - 1.1.3 INPUT POWER:
 - 1.1.3.1 IN AIR 125°C: 0.25 WATT.
 - 1.1.3.2 HEAT SINK 100°C: 10 WATTS.

- 1.2 MECHANICAL:
 - 1.2.1 OUTLINE DWG: SEE SHEET 2.

- 1.3 ENVIRONMENTAL:
 - 1.3.1 TEMPERATURE RANGE:
 - 1.3.1.1 NON-OPERATING: -55° C TO +150° C.
 - 1.3.1.2 OPERATING: -55°C TO +125°C.

2.0 UNIT MARKING: NONE

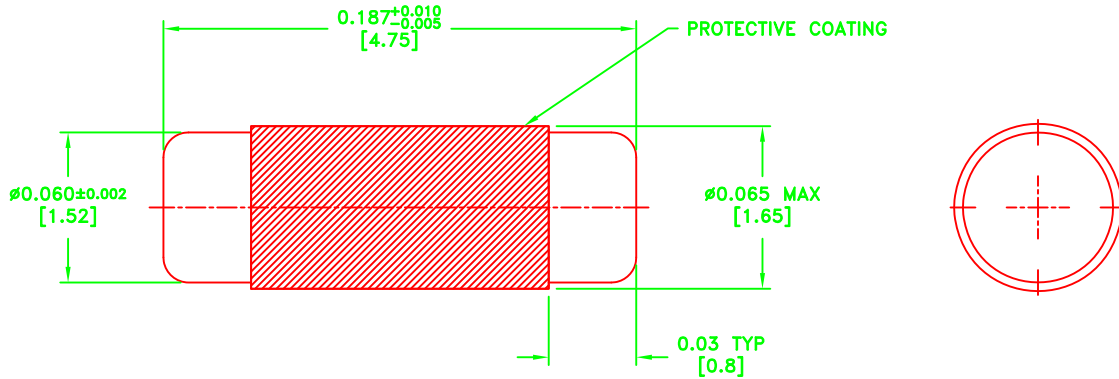
3.0 QUALITY ASSURANCE:

- 3.1 SAMPLE INSPECT PER ANSI/ASQC Z1.4 GENERAL INSPECTION, LEVEL II, AQL = 1.0.
 - 3.1.1 VISUAL AND MECHANICAL EXAMINATION FOR CONFORMANCE TO CONTROL DRAWING REQUIREMENTS.
 - 3.1.2 MEASURE DCR.
 - 3.1.2.1 ACCEPTANCE LIMITS: RESISTANCE VALUES AND TOLERANCE AS SPECIFIED ON SHOP/FACTORY ORDER.

4.0 PACKAGING: : STANDARD PACKING PER 755W002.

EMC TECHNOLOGY 8851 SW OLD KANSAS AVE. STUART, FL 34997	CAGE CODE # 24602		DWG #	1001605000
	CHANGE NOTICE	EN 13-2976	REV LVL	D
			SHEET	1 OF 2


PART ID REF
TRP 6-18



MECHANICAL SPECIFICATIONS:

SUBSTRATE:
MATERIAL - BERYLLIA 99.5%, ASTM F356.
TERMINAL:
MATERIAL - GOLD OVER NICKEL PLATING.

**METRIC EQUIVALENTS GIVEN IN [mm]
 FOR REFERENCE INFORMATION ONLY**

 8851 SW OLD KANSAS AVE STUART, FL 34997 PHONE NO. (772)286-9300 FAX NO. (772)283-5286	UNLESS OTHERWISE SPECIFIED DIMENSIONS ARE IN INCHES TOLERANCES FRACT --- --- ANG --- --- XX ± 0.01 XXX ± 0.005 XXXX --- ---	THESE DRAWINGS AND SPECIFICATIONS ARE THE PROPERTY OF EMC TECHNOLOGY INC AND SHALL NOT BE DUPLICATED OR USED AS BASIS FOR THE MANUFACTURE OR SALE OF PARTS OR DEVICES WITHOUT PERMISSION.					
		CAGE CODE 24602	SCALE 1:1	DRAWN BY CME 08/06/2001	CHECKED BY	APPROVED BY DAR 8/8/01	
	REV D	CHANGE NOTICE EN 13-2976	DRAWING NO 1001605000	SHEET 2 OF 2			