

TITLE: SPECIFICATION CONTROL DRAWING

PART IDENTIFIER: SMT2010

DESCRIPTION: SURFACE MOUNT TERMINATION, BERYLLIA

ASSEMBLY DWG: 1101154

1.0 SPECIFICATIONS:

1.1 ELECTRICAL:

1.1.1 IMPEDANCE: 50Ω NOMINAL.

1.1.2 FREQUENCY: DC - 2 GHZ.

1.1.3 VSWR: 1.25:1 MAX.

1.1.4 INPUT POWER:

1.1.4.1 30 WATTS. CHIP SOLDERED TO MOUNTING SURFACE. MOUNTING SURFACE TEMPERATURE MAINTAINED AT 100 °C MAXIMUM. APPLY LINEAR DE-RATING OF INPUT POWER TO 0 WATTS AT 150 °C.

1.2 MECHANICAL:

1.2.1 OUTLINE DWG: SEE SHEET 2.

1.2.2 WORKMANSHIP: PER MIL-PRF-55342

1.2.3 THERMAL IMPEDANCE (R_θ)

1.2.3.1 1.667 °C / WATT R_θ FROM RESIST FILM TO MOUNTING SURFACE DIRECTLY UNDER CENTER OF CHIP. CHIP SOLDERED DIRECTLY TO MOUNTING SURFACE.

1.2.4 FILM TEMPERATURE (T_F)

1.2.4.1 200 °C ABSOLUTE MAXIMUM FILM TEMPERATURE. DE-RATE TO 150 °C MAXIMUM FILM TEMPERATURE FOR ALL MILITARY/HIGH-RELIABILITY APPLICATIONS.

1.2.5 THERMAL

1.2.5.1 DETERMINE MAXIMUM MOUNTING SURFACE TEMPERATURE BY APPLYING THE FOLLOWING FORMULA:

$$T_s = T_f - (P_{MAX} \times R_{\theta})$$

WHERE: T_S = MAXIMUM MOUNTING SURFACE TEMPERATURE

T_F = MAXIMUM FILM TEMPERATURE

P_{MAX} = MAXIMUM APPLIED INPUT POWER

R_θ = CHIP THERMAL IMPEDANCE.

1.3 ENVIRONMENTAL:

1.3.1 TEMPERATURE RANGE:

1.3.1.1 NON-OPERATING: -55°C TO +150°C.

1.3.1.2 OPERATING: -55°C TO +150°C.

2.0 UNIT MARKING: NONE.

3.0 QUALITY ASSURANCE:

3.1 SAMPLE INSPECT PER ANSI/ASQC Z1.4 GENERAL INSPECTION, LEVEL II, AQL = 1.0.

3.1.1 VISUAL AND MECHANICAL PER 824W154.

3.1.2 DC RESISTANCE: 50Ω ± 5%.

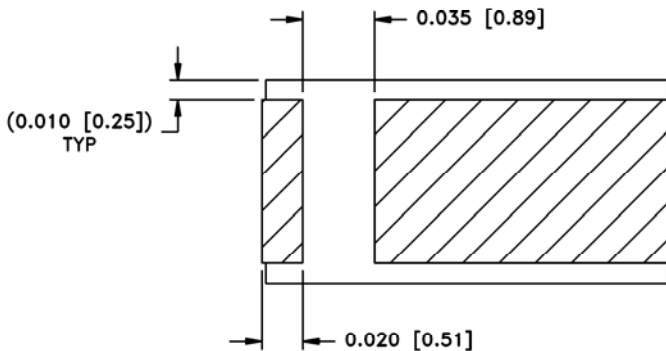
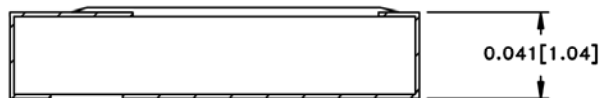
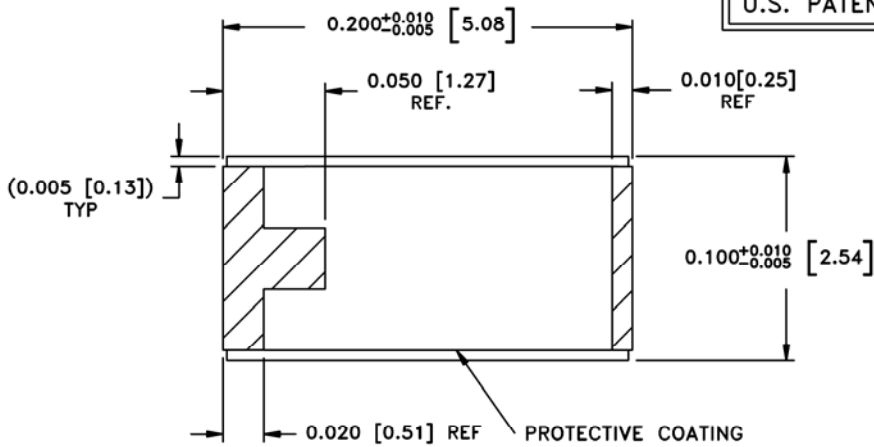
3.2 DATA REQUIREMENTS:

3.2.1 NO TEST DATA REQUIRED FOR CUSTOMER.

3.2.2 DATA RETENTION – 24 MONTHS.

4.0 PACKAGING: STANDARD PACK PER 755W002.

EMC TECHNOLOGY 8851 SW OLD KANSAS AVE. STUART, FL 34997	CAGE CODE # 24602		DWG #	1008595000
	CHANGE NOTICE	EN 11-0177	REV LVL	W
			SHEET	1 OF 2

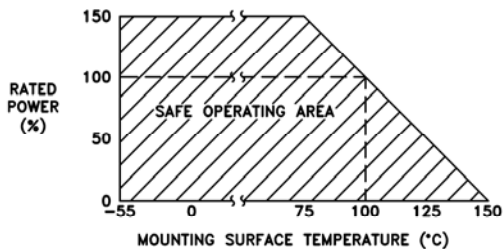


MECHANICAL SPECIFICATIONS:

- SUBSTRATE: MATERIAL - BERYLLIA, ASTM F356.
- TERMINALS: MATERIAL - THICK FILM, NICKEL BARRIER, SOLDER PLATED.
- RESIST: MATERIAL - THICK FILM.

METRIC EQUIVALENTS GIVEN IN [mm] ARE FOR REFERENCE INFORMATION ONLY

POWER RATING AND DERATING



8851 SW OLD KANSAS AVE
 STUART, FL 34997
 PHONE NO. (772)286-9300
 FAX NO. (772)283-5286

UNLESS OTHERWISE SPECIFIED DIMENSIONS ARE IN INCHES
TOLERANCES
 FRACT --- ---
 ANG --- ---
 XX --- ---
 XXX ±0.005
 XXXX --- ---

THESE DRAWINGS AND SPECIFICATIONS ARE THE PROPERTY OF EMC TECHNOLOGY INC AND SHALL NOT BE DUPLICATED OR USED AS BASIS FOR THE MANUFACTURE OR SALE OF PARTS OR DEVICES WITHOUT PERMISSION.

CAGE CODE 24602	SCALE 16:1	DRAWN BY JNK 10/16/10	CHECKED BY	APPROVED BY
REV W	CHANGE NOTICE EN 11-0177	DRAWING NO 1008595000	SHEET 2 OF 2	