

**TITLE: SPECIFICATION CONTROL DRAWING**

**PART IDENTIFIER:** CT2010S

**DESCRIPTION:** HIGH POWER CHIP TERMINATION, BERYLLIA

**ASSEMBLY DWG:** 1101784

**1.0 SPECIFICATIONS:**

- 1.1 ELECTRICAL:
  - 1.1.1 IMPEDANCE: 50Ω NOMINAL.
  - 1.1.2 FREQUENCY: DC - 4 GHZ.
  - 1.1.3 VSWR: 1.25:1 MAX.
  - 1.1.4 INPUT POWER:
    - 1.1.4.1 HEAT SINK 100°C: 20 WATTS. (DERATE POWER LINEARLY TO 0 WATTS @ 125°C)
- 1.2 MECHANICAL:
  - 1.2.1 OUTLINE DWG: SEE SHEET 2.
- 1.3 ENVIRONMENTAL:
  - 1.3.1 TEMPERATURE RANGE:
    - 1.3.1.1 NON-OPERATING: -55°C TO +150°C.
    - 1.3.1.2 OPERATING: -55°C TO +125°C.

**2.0 UNIT MARKING:** NONE.

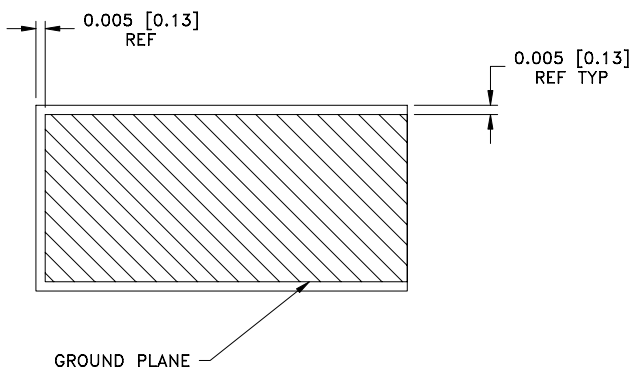
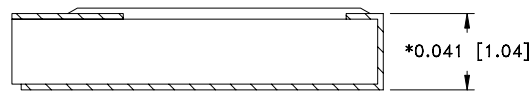
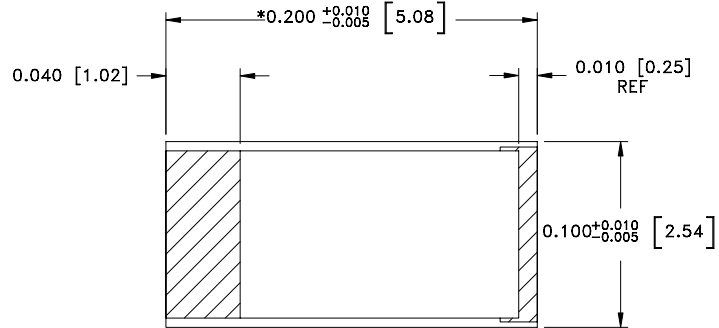
**3.0 QUALITY ASSURANCE:**

- 3.1 SAMPLE INSPECT PER ANSI/ASQC Z1.4 GENERAL INSPECTION, LEVEL II, AQL = 1.0.
  - 3.1.1 VISUAL AND MECHANICAL PER 824W154.
- 3.2 DC RESISTANCE: 50Ω ± 5%.
- 3.3 DATA REQUIREMENTS:
  - 3.3.1 NO TEST DATA REQUIRED FOR CUSTOMER.
  - 3.3.2 DATA RETENTION - STANDARD.

**4.0 PACKAGING:** STANDARD PACK PER 755W002.

<b>EMC TECHNOLOGY</b> <b>8851 SW OLD KANSAS AVE.</b> <b>STUART, FL 34997</b>	<b>CAGE CODE # 24602</b>		<b>DWG #</b>	1010315000
	<b>CHANGE NOTICE</b>	EN 08-E0534	<b>REV LVL</b>	A
			<b>SHEET</b>	1 <u>OF</u> 2

PART ID	REF
CT2010S	



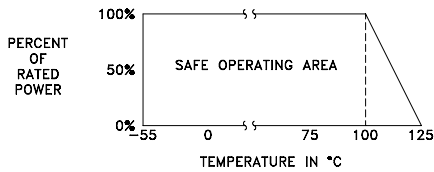
**MECHANICAL SPECIFICATIONS:**

SUBSTRATE:  
 MATERIAL - BERYLLIA, ASTM F356.  
 TERMINALS AND GROUND PLANE:  
 MATERIAL - THICK FILM, NICKEL  
 BARRIER, SOLDER COATED.  
 RESISTIVE ELEMENT:  
 MATERIAL - THICK FILM.

METRIC EQUIVALENTS GIVEN IN [mm]  
 FOR REFERENCE INFORMATION ONLY

\* DIMENSIONS APPLY BEFORE SOLDER. ALLOW  
 0.015 MAX FOR ALL PRETINNED SURFACES.

**POWER RATING AND DERATING**



**EMC Technology**  
 8851 SW OLD KANSAS AVE  
 STUART, FL 34997  
 PHONE NO. (772)286-9300  
 FAX NO. (772)283-5286

UNLESS OTHERWISE SPECIFIED DIMENSIONS ARE IN INCHES

**TOLERANCES**

FRACT	---
ANG	---
XX	---
XXX	±0.005
XXXX	---

THESE DRAWINGS AND SPECIFICATIONS ARE THE PROPERTY OF EMC TECHNOLOGY INC AND SHALL NOT BE DUPLICATED OR USED AS BASIS FOR THE MANUFACTURE OR SALE OF PARTS OR DEVICES WITHOUT PERMISSION.

CAGE CODE	SCALE	DRAWN BY	CHECKED BY	APPROVED BY
24602	16:1	JG 7/7/08		
REV	CHANGE NOTICE	DRAWING NO	SHEET	
A	EN 08-E0534	1010315000	2 OF 2	