

**TITLE: SPECIFICATION CONTROL DRAWING**

**PART IDENTIFIER:** 5323

**DESCRIPTION:** HIGH POWER LOAD, BERYLLIA

**ASSEMBLY DWG:** 1700274

**1.0 SPECIFICATIONS:**

1.1 ELECTRICAL:

- 1.1.1 RESISTANCE VALUE: 50Ω NOMINAL.
- 1.1.2 INPUT POWER: (@ 100°C HEAT SINK, DERATED LINEARLY TO ZERO POWER AT 150°C):
  - 1.1.2.1 AVERAGE: 10 WATTS.
  - 1.1.2.2 PEAK: 100 WATTS (BASED ON 100US PULSE WIDTH AND 1% DUTY CYCLE).
- 1.1.3 FREQUENCY RANGE: DC - 4.0 GHZ.
- 1.1.4 VSWR: DC - 2.0 GHZ - 1.25 MAX.  
2.0 - 4.0 GHZ - 1.35 MAX.

1.2 MECHANICAL:

- 1.2.1 OUTLINE DWG: SEE SHEET 2.

1.3 ENVIRONMENTAL:

- 1.3.1 TEMPERATURE RANGE:
  - 1.3.1.1 STORAGE: -65°C TO +150°C.
  - 1.3.1.2 OPERATING: -55°C TO +150°C.

**2.0 UNIT MARKING:** EMC LOGO  
LEGIBILITY AND PERMANENCY PER MIL-STD-130.

**3.0 QUALITY ASSURANCE:**

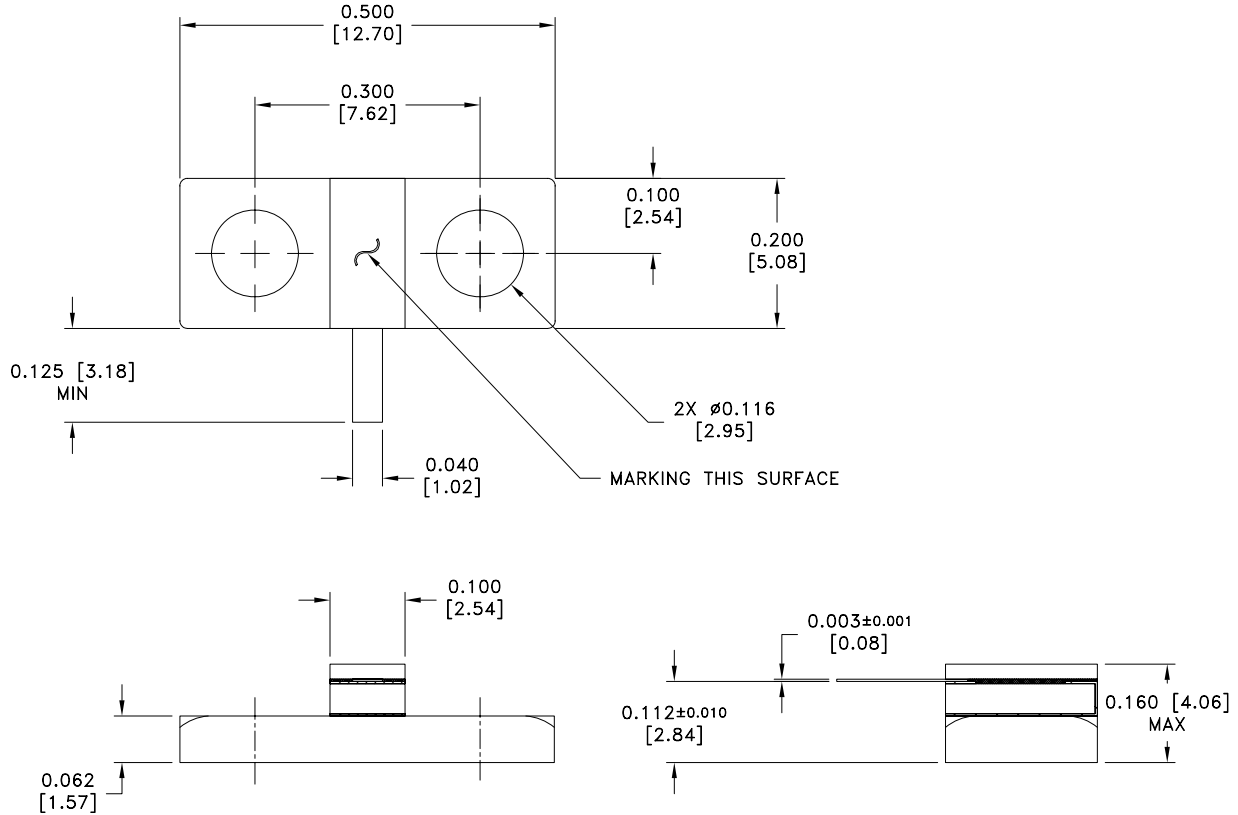
- 3.1 SAMPLE INSPECT PER ANSI/ASQC Z1.4 GENERAL INSPECTION, LEVEL II, AQL = 1.0.
  - 3.1.1 VISUAL AND MECHANICAL EXAMINATION FOR CONFORMANCE TO OUTLINE DWG REQUIREMENTS.
- 3.2 PERFORM INSPECTION IN ACCORDANCE WITH 824W170 AND 824F036 FOR COMMERCIAL GRADE PRODUCT.
- 3.3 TEST DATA REQUIREMENTS:
  - 3.3.1 NO TEST DATA REQUIRED FOR CUSTOMER.
  - 3.3.2 DATA RETENTION – 24 MONTHS.

**4.0 PACKAGING:** STANDARD PACKING PER 755W002.

<b>EMC TECHNOLOGY</b> <b>8851 SW OLD KANSAS AVE</b> <b>STUART, FLORIDA 34997</b>	<b>CAGE CODE # 24602</b>		<b>DWG #</b>	1004265000
	<b>CHANGE NOTICE</b>	EN 10-0911	<b>REV LVL</b>	G
			<b>SHEET</b>	1 OF 2

PART ID REF

5323



**MECHANICAL SPECIFICATIONS:**

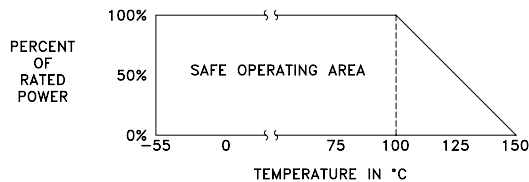
- CHIP:  
MATERIAL - BERYLLIA, ASTM F356.
- TOP PLATE:  
MATERIAL - ALUMINA, MIL-I-10.
- TABS:  
MATERIAL - BERYLLIUM COPPER, ASTM B194.  
FINISH - GOLD, MIL-G-45204, TYPE II, CLASS 1.
- HEATSINK:  
MATERIAL - COPPER, ASTM B187.  
FINISH - NICKEL, QQ-N-290.

METRIC EQUIVALENTS GIVEN IN [mm]  
FOR REFERENCE INFORMATION ONLY

**NOTE:**

1. ALLOW ±0.010 ON TOP PLATE FOR MISALIGNMENT.

**POWER RATING AND DERATING**



8851 SW OLD KANSAS AVE  
STUART, FL 34997  
PHONE NO. (772)286-9300  
FAX NO. (772)283-5286

UNLESS OTHERWISE SPECIFIED DIMENSIONS ARE IN INCHES

**TOLERANCES**

FRACT	---
ANG	---
XX	±0.005
XXX	±0.005
XXXX	---

THESE DRAWINGS AND SPECIFICATIONS ARE THE PROPERTY OF EMC TECHNOLOGY INC AND SHALL NOT BE DUPLICATED OR USED AS BASIS FOR THE MANUFACTURE OR SALE OF PARTS OR DEVICES WITHOUT PERMISSION.

CAGE CODE	SCALE	DRAWN BY	CHECKED BY	APPROVED BY
24602	1:1	JG 9/17/07		
REV	CHANGE NOTICE	DRAWING NO	SHEET	
G	EN 10-0911	1004265000	2 OF 2	