

TERMINATION FLANGE MOUNT 600 WATT



DATA SHEET

PART SERIES: 32A7208F

SHEET 1 OF 2
Dwg 1014595

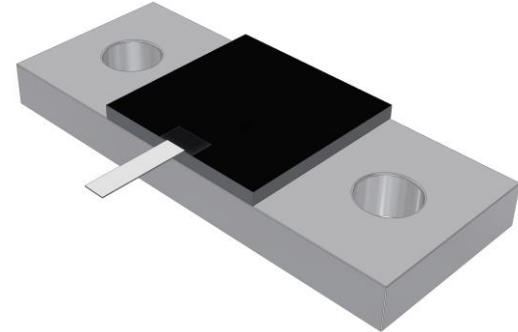
EN 15-0690
Revision 2

FEATURES

- Tab Launch
- High Power
- Integrated Heat Sink
- Low VSWR
- Easy Installation

APPLICATIONS

- Mobile Networks
- Broadcast
- High Power Amplifiers
- Isolators
- Military
- Instrumentation



GENERAL DESCRIPTION

EMC Technology offers the widest selection of flange mount terminations worldwide. High power flange components offer excellent performance and the convenience of bolt on installation.

ORDERING INFORMATION

Part Identifier: **32A7208F**

SPECIFICATIONS

1.0 ELECTRICAL

Nominal Impedance:	50 ohms
Frequency Range:	2.4 - 2.5 GHz
VSWR:	1.17:1 MAX
Input Power CW:	600 Watts @ 100 °C heat sink, derated linearly to zero power and 150 °C
Peak Power:	6 Kilowatts (based on 10µs pulse width and 1% duty cycle)
DC Resistance:	50 Ω ± 5%

2.0 ENVIRONMENTAL

Operating Temperature:	-55°C to +150°C
Non-operating Temperature:	-65°C to +150°C
Temperature Coefficient:	±200 PPM / °C max

3.0 MARKING

Unit Marking:	N/A
---------------	-----

4.0 QUALITY ASSURANCE

Visual and Mechanical Inspection:	Per 824W107
DC Resistance Check:	100% DC Resistance Check µ
Data Retention:	Standard

5.0 PACKAGING

Standard Packaging:	Tray Packaging
---------------------	----------------

TERMINATION FLANGE MOUNT 600 WATT



DATA SHEET

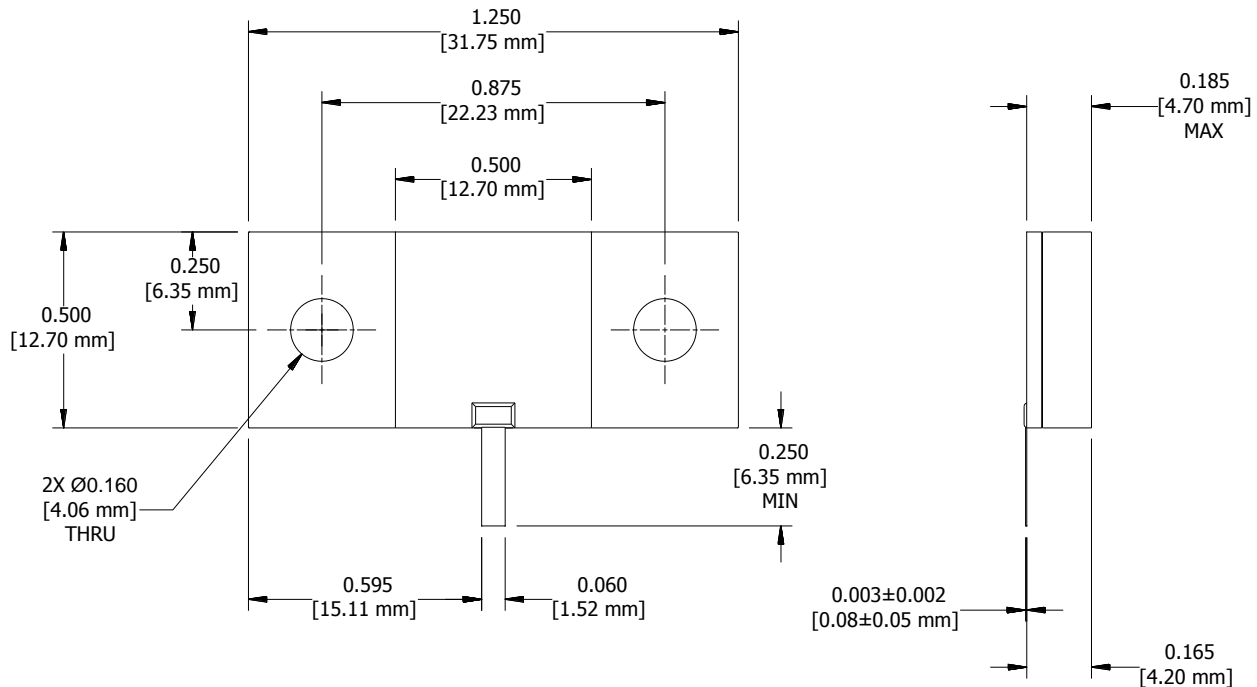
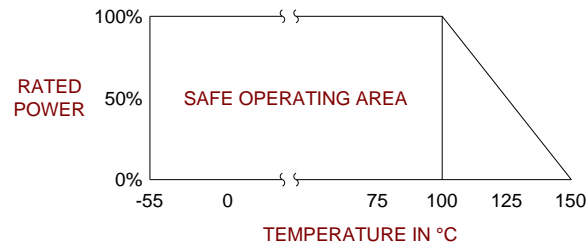
PART SERIES: 32A7208F

SHEET 2 OF 2
Dwg 1014595

EN 15-0690
Revision 2

6.0 MECHANICAL

Substrate Material:	Aluminum Nitride
Resistive Film:	Thin Film
Tab Material:	Beryllium Copper
Tab Finish:	Silver
Flange Material:	Copper
Flange Finish:	Nickel
Metric Dimensions:	Provided for reference only



Unless Otherwise Specified: TOLERANCE: X.XX = ± 0.02 X.XXX = ± 0.010