

Expanded Beam Size 5 and 12

Multi-Mode and Single-Mode Applications



Expanded Beam Contacts

Smiths Interconnect offers rugged connectors such as MIL-DTL-38999 to house fiber optic contacts in size 5 and 12 expanded beam, size 16 butt-joint, DIN style and ARINC 801 termini. These technologies are capable of supporting wide bandwidth applications. All fiber optic connectors and contacts are offered fully terminated and tested ensuring signal integrity for ruggedized application environments.

When specifying these rugged connectors, Smiths Interconnect also offers a complete line of fiber optic connectors to terminate to the other end of the cables. These include Ruggedized Single Channel (RSC), FC, ST, LC Duplex/Simplex, MTP, MT-RJ, and Ruggedized SC connectors. Please consult factory for cabling options.

Size 12 Expanded Beam Contacts

Expanded Beam Fiber Optic Contact technology is specifically designed to fit into standard size 12 cavities of MIL-DTL-38999 Series I, III and IV connectors. The size 12 contact provides a robust fiber optic interconnection with low susceptibility to contamination and fits a variety of cable types with diameters from 1.6 to 2.2 mm with additional versions available upon request. The contacts are rear release/rear removable with standard size 12 removal tools.

- Fits standard size 12 contact cavities for MIL-DTL-38999 (dimensionally identical to size 12 electrical contacts per M39029/56-353 and M39029/58-365)
- Multimode applications 50/125 and 62.5/125
- Insertion loss: 1.0 dB (Typical)
- Increased protection for fiber face
- Reduced influence from dirt debris and vibration
- Simple cleaning
- Insert arrangements for MIL-DTL-38999 include: 13-2, 15-4, 17-6, 21-11 and 25-19 (other custom arrangements available, consult factory)

Specifications

Operating Temperature	-40°C to +85°C
Fiber Types	Multimode: 50/125 μm 62.5/125 μm
Insertion Loss	1.0 dB (Typical)
Cable Diameter	1.6mm to Ø2.2mm
Ferrules	Zirconia Ceramic
Contact Body	ARCAP
Alignment Sleeve	Stainless Steel

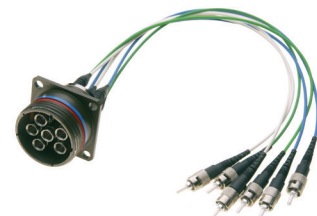


Size 5 Expanded Beam Contacts

- Robust pin & socket versions
- Multimode applications 62.5/125
- Available for ARINC or MIL-DTL-38999 applications
- Reduced influence from alignment errors
- Increased protection for fiber
- Reduced influence from dirt and debris
- Simple cleaning
- Insertion loss: -0.8 dB (typical)

Specifications

Operating Temperature	-40°C to +85°C
Fiber Types	Multimode
Insertion Loss	-0.8 dB
Cable Diameter	0.9 - 2.2mm
Ferrules	Ceramic
Contact Body	ARCAP
Alignment Sleeve	Stainless Steel

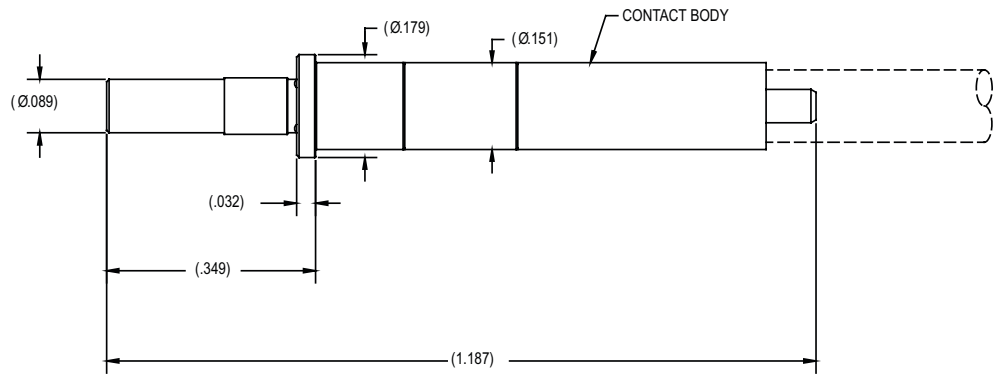


Pin and Socket Contacts for MIL-DTL-38999

Sizes 5 & 12 Expanded Beam Contacts

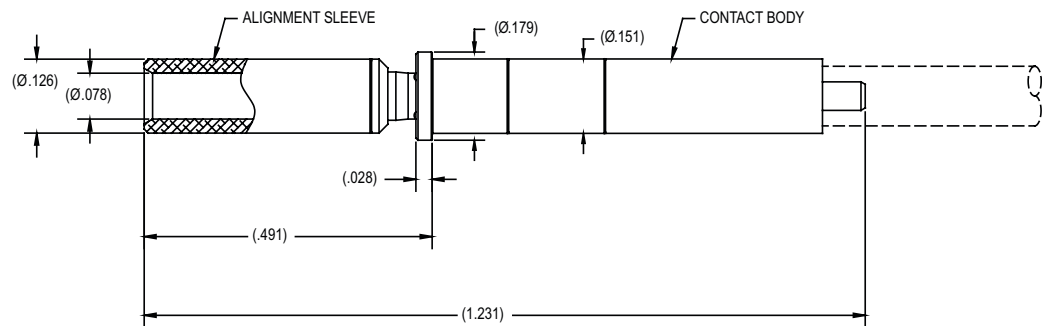
Size 12 Expanded Beam Pin Contact

Part Number
238633-8000



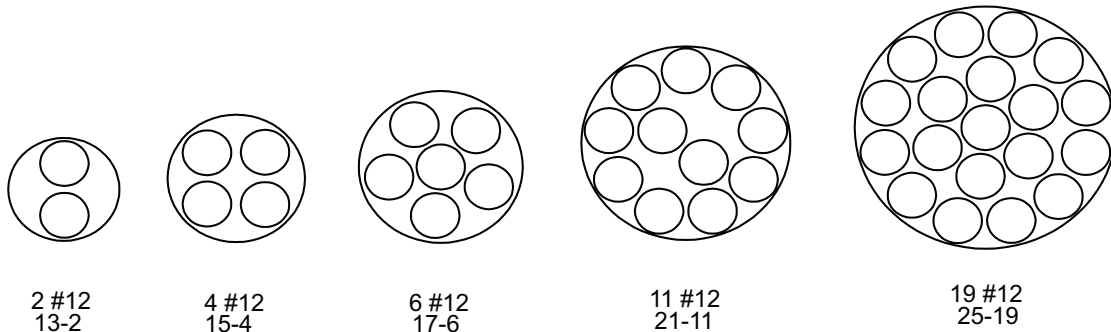
Size 12 Expanded Beam Socket Contact

Part Number
238733-8000



Sample Size 12 Insert Arrangements

Standard Insert Arrangements for MIL-STD-1560

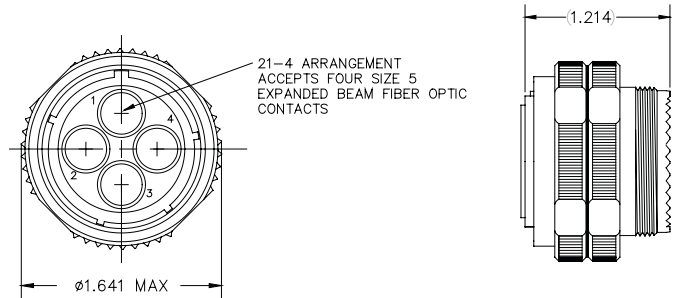


Consult factory for custom circular and rectangular connector insert arrangements

MIL-DTL-38999 Size 21-4 Fiber Optic Plug

Part Number
23640Y-2000

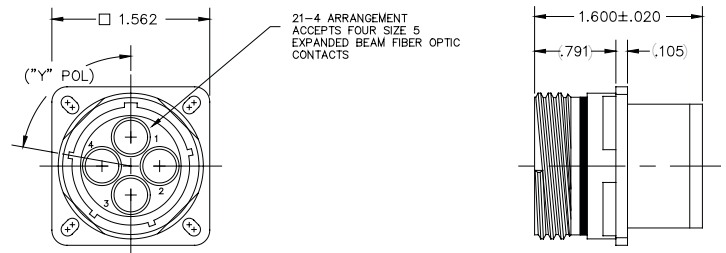
Y	Polarization
1	N
2	A
3	B
4	C
5	D
6	E



MIL-DTL-38999 Size 21-4 Fiber Optic Receptacle

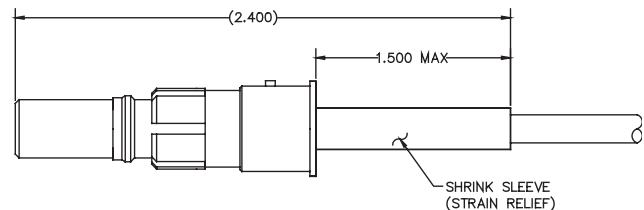
Part Number
23640Y-3000

Y	Polarization
1	N
2	A
3	B
4	C
5	D
6	E



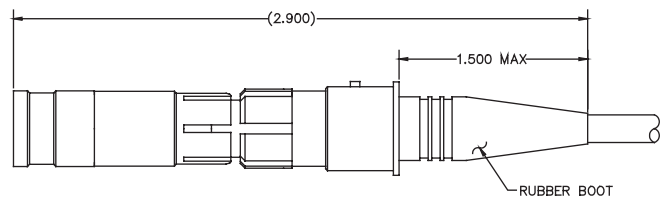
Size 5 Expanded Beam Lens Pin Contact

Part Number
239433-8000



Size 5 Expanded Beam Lens Socket Contact

Part Number
239333-8000



Global Support

Americas

- Kansas City, KS
+1 913 342 5544
info.us@smithsinterconnect.com
- Tampa, FL
+ 1 813 901 7200
info.tampa@smithsinterconnectinc.com
- Milpitas, CA
+1 408 957 9607 x-1125
info.us@smithsinterconnect.com
- Kirkland, QC, Canada
+1 514 842 5179
info.us@smithsinterconnect.com
- Salisbury, MD
+1 800 780 2169
info.us@smithsinterconnect.com

Europe

- Deggendorf, Germany
+49 991 250 120
info.de@smithsinterconnect.com
- Rouen, France
+33 2 3296 9176
info.fr@smithsinterconnect.com
- Dundee, UK
+44 1382 427 200
info.dundee@smithsinterconnect.com
- Genova, Italy
+39 0 10 60361
info.it@smithsinterconnect.com

Asia

- Bangalore, India
+91 080 4241 0529
info.in@smithsinterconnect.com
- Singapore
+65 6846 1655
info.asia@smithsinterconnect.com
- Mianyang, China
+86 816 231 5566
HSICSR@hf-smiths.com
- Suzhou, China
+86 512 6273 1188
info.asia@smithsinterconnect.com
- Shanghai, China
+86 21 2283 8008
info.asia@smithsinterconnect.com

more > [smithsinterconnect.com](https://www.smithsinterconnect.com) | [in](#) [twitter](#) [youtube](#)